



Whole goods Price List

Prices effective July 2014

Rev F

Yetter Manufacturing Company Inc.

Founded 1930

Colchester, IL 62326-0358

309/776-4111

Toll Free: 800/447-5777

Fax: 309/776-3222

Visit our web site at: <http://www.yetterco.com>

**PRICES SUBJECT TO CHANGE WITHOUT NOTICE OR
OBLIGATION**

F.O.B. Colchester, IL

Your One Stop Solutions Center

Table of Contents by page number

Table of Contents by product code

2000 Series All Steer	3	1200 Series Row Unit Adjuster Kit	40
2920 Series Disc Sealers and Max Sealers	4	1300 Series Systems One Bulk Seed Products	39
2930/2950 Series Disc Chisel Coulters	5	2000 Series All Steer	3
2967 Series Frame Mount Residue Managers	6	NH3 Residue Manager	6
NH3 Residue Manager	6	2910 Series Frame Mount Coulters	24
2982 Series Vertical Tillage Attachment	7	2920 Series Disc Sealers and Max Sealers	5
2960 Series Unit Mount Conservation Coulters	7-8	2930/2950 Series Disc Chisel Coulters	4
2960 Series Ultra Narrow Coulters	8	2940 Series Air Adjust Residue Manager	16-20
2962 Series Double Disc Fertilizer Opener	9	2959 Series Planter Unit Mount Fertilizer Injector	9
2959 Series Planter Unit Mount Fertilizer Injector	9	2960 Series Unit Mount Conservation Coulters	7-8
2966 Series Residue Manager for JD 60/90	10	2960 Series Ultra Narrow Coulters	8
2966 Series Residue Manager for Twin Row	10	2962 Series Double Disc Fertilizer Opener	9
2967 Series Residue Manager for Twin Row	10	2966 Series Residue Manager for Twin Row	10
2967 Series Floating Single Wheel RM for Monosem	10	2966 Series Residue Manager for JD 60/90 Opener	10
2967 Series Residue Manager	11	2967 Series Residue Manager for Twin Row	10
2967 Series Screw Adjust Residue Manager and Narrow Row	12	2967 Series Floating Single Wheel RM for Monosem	10
2967 Series Short Titan™ and Floating Screw Adjust RM	13	2967 Series Frame Mount Residue Managers	6
2967 Series Titan™ Residue Manager and Titan™ for JD	14	2967 Series Residue Manager	11
2967 Series Ultra Narrow Titan™ Residue Manager	15	2967 Series Screw Adjust Residue Manager and Narrow Row	12
2940 Series Air Adjust Residue Manager	16-20	2967 Series Titan™ Residue Manager and Titan™ for JD	14
2968 Series Row-Unit Mount In-Between Fertilizer Opener	21	2967 Series Ultra Narrow Titan™ Residue Manager	15
2995 Series T.O.W. Fertilizer Coulters	21	2967 Series Short Titan™ and Floating Screw Adjust RM	13
Extension Brackets and Front Bar Mount Kits	22	2968 Series Row-Unit Mount In-Between Fertilizer Opener	21
2984 Series Maverick™ HR Plus Opener	23	2982 Series Vertical Tillage Attachment	7
2984 Series Rolling Basket	23	2984 Series Maverick™ HR Plus Opener	23
2910 Frame Mount Coulters	24	2984 Series Rolling Basket	23
2986 Series Avenger® Coulters	24	2984 Series Strip Freshener™	29
2987 Series NH3 Magnum™ Fertilizer Coulters	25	2986 Series Avenger® Coulters	24
2995 Series Fertilizer Coulters	26	2987 Series NH3 Magnum™ Fertilizer Coulters	25
2996 Series Fertilizer Coulters	26	Extension Brackets and Front Bar Mount Kits	22
Generation III Coulters	27	2995 Series TOW™ Opener	21
Options for Fertilizer Coulters	27	2995 Series Fertilizer Coulters	26
6200 N Keeper Closing Wheel for 2995/2996/ Gen III	27	2995 Xtreme™ (XFC) Fertilizer and (XCC) Cutting Coulters	28
2995 Xtreme™ (XFC) Fertilizer and (XCC) Cutting Coulters	28	2996 Series Fertilizer Coulters	26
2999 Series Frame Mounted Spring Cushioned Coulters	29	Options for Fertilizer Coulters	27
2984 Series Strip Freshener™	29	2999 Series Frame Mounted Spring Cushioned Coulters	29
3000 Series Viper®II Fertilizer Coulters	30	Generation III Coulters	27
3600 Series Flat-Folding Fertilizer Toolbar	31	3000 Series Viper®II Fertilizer Coulters	30
3400 and 3400-MT Series Toolbar Rotary Hoes	32	3400 and 3400-MT Series Toolbar Rotary Hoes	32
3500 and 3500-MT Series Toolbar Rotary Hoes	33	3500 and 3500-MT Series Toolbar Rotary Hoes	33
3700 Series Ridge Till Rotary Hoes	34	3600 Series Flat-Folding Fertilizer Toolbar	31
3800 Series Heavy-duty Double Bar Folding Toolbar	34	3700 Series Ridge Till Rotary Hoes	34
3800 Series Heavy-duty Single Bar Folding Toolbar	35	3800 Series Heavy-duty Double Bar Folding Toolbar	34
5000 Series Corn Stalk 'Devastator™'	35	3800 Series Heavy-duty Single Bar Folding Toolbar	35
6000 Series Serrated Closing Disc	36	5000 Series Corn Stalk Devastator™	35
6200 Series Drag Chain	36	6000 Series Serrated Closing Disc	36
6200 Series Packer Wheel	36	6150 Series Hydraulic Flat Fold Markers	37
6200 Series Closing Wheels (Cast/Spike/Rubber)	36	6200 Series Packer Wheel	36
6200 Series Interchanger	36	6200 Series Closing Wheels (Cast/Spike/Rubber)	36
6200 Series Paddle Wheel	36	6200 Series Drag Chain	36
6150 Series Hydraulic Flat Fold Markers	37	6200 Series Paddle Wheel	36
6300 Series Coulters Cart	38	6200 Interchanger	36
1300 Series Systems One Bulk Seed Products	39	6200 Series N Keeper closing wheel for 2995/2996/Gen III	27
71 Series Planter Unit	40	6300 Series Coulters Cart	38
1200 Series Row Unit Adjuster Kit	40	71 Series Planter Unit	40

NOTE: In this Price Guide, product weights, listed under the columns Est. Wt. are estimated.

Warranty

Yetter Manufacturing Company warrants its own products only and cannot be responsible for damage to equipment on which mounted. Due to a constant program of product improvement, Yetter Manufacturing Company reserves the right to alter specifications without notice or obligation. Various products featured in the catalog are either patented or have patents applied for.

Yetter Performance Guarantee

During the first 30 days, should the Yetter product you buy fail to perform, and after being given a reasonable amount of time to remedy the situation, the company will, if unable to make the product perform:

Repair It, Replace It, or Buy It Back!

2000 Series All Steer Fertilizer Cart

Discount – Schedule B

STANDARD FEATURES FOR ALL MODELS



- All Wheel-Steer
- 1600 gallon or 2000 gallon tank
- Warning lights
- Welded frame construction
- Heavy duty 8 bolt hubs
- 30,000 lbs load capacity
- 3” spindles
- Greasable 5th wheel

• Order manual: 2565-726

Order one each from Section A and B:

Section A		Order One Model No.	
Model No.	Description	Est. Wt.	List Price
2000-001-Black	1600 Gallon All Steer, black (with 1600 gallon single tank)	2700 lbs	\$ 11,485.00
2000-001-Green	1600 Gallon All Steer, green (with 1600 gallon single tank)	2700 lbs	\$11,485.00
Model No.	Description	Est. Wt.	List Price
2000-015-Black	2000 Gallon Dual Tank All Steer, black (with 1600 & 400 gallon tank)	2900 lbs	\$12,890.00
2000-015-Green	2000 Gallon Dual Tank All Steer, green (with 1600 & 400 gallon tank)	2900 lbs	\$12,890.00

Model No.	Description	Est. Wt.	List Price
2000-002-Black	1600 Gallon All Steer less tank, black	2300 lbs	\$ 9,095.00
2000-002-Green	1600 Gallon All Steer less tank, Green	2300 lbs	\$ 9,095.00
Model No.	Description	Est. Wt.	List Price
2000-016-Black	2000 Gallon Dual All Steer less tank, black	2400 lbs	\$ 9,885.00
2000-016-Green	2000 Gallon Dual All Steer less tank, green	2400 lbs	\$ 9,885.00

Model No.	Description	Est. Wt.	List Price
2000-003-Black	1600 Gallon All Steer less tank & saddle, black	2100 lbs	\$ 7,715.00
2000-003-Green	1600 Gallon All Steer less tank & saddle, green	2100 lbs	\$ 7,715.00

Section B		Order One Model No.	
Model No.	Description	Est. Wt.	List Price
2000-038	18.4 x 26.10 tire/wheel (1.38 inset), yellow	1400 lbs	\$ 5,630.00
2000-039	18.4 x 26.10 tire/wheel (1.38 inset), white	1400 lbs	\$ 5,630.00

Optional	Spacer Kits	Est. Wt.	List Price
2000-022	All Steer Axle Spacer Kit, 38”	250 lbs	\$ 1,505.00
2000-023	All Steer Axle Spacer Kit, 36”	220 lbs	\$ 1,375.00
2000-024	All Steer Axle Spacer Kit, 22”	180 lbs	\$ 1,330.00

****Note:** To pull All Steer from factory requires an assembly charge – consult sales department for details.

2920 Series Sealers

STANDARD FEATURES FOR ALL MODELS



- Sealed double row ball bearings
- Spring cushioned to reduce damage from obstructions
- Adjustable blade angle
- 12" diameter solid blades/ 16" Smooth or Notched, 4" x 16" planter type gauge wheels or 13" Residue Manager Wheels
- 2 blade positions
- Greasable hubs

• Order manual: 2565-412

Model No.	Description	Est. Wt.	List Price
2920-016	Anhydrous blade sealer. Fits standard 1-1/4" and 1" x 2" Anhydrous shanks. 16" blades	68 lbs	\$ 290.00
2920-016-N	Anhydrous blade sealer. Fits standard 1-1/4" and 1" x 2" Anhydrous shanks. 16" notched blades	68 lbs	\$ 290.00
2920-016-ST	Anhydrous blade sealer. Fits same as -016 with ^Sharktooth® Wheel	69 lbs	\$ 315.00
2920-020	Anhydrous wheel sealer. Fits standard 1-1/4" and 1" x 2" Anhydrous shanks. 40 mm bearings. 4" x 16" planter type gauge wheels	71 lbs	\$ 370.00

* Other blade options available, contact Yetter Sales Department.

2920 Series Max Sealer™ Plus

STANDARD FEATURES FOR ALL MODELS

- | | |
|---|---|
| <ul style="list-style-type: none"> • Arms operate independently • Adjustable blade pitch • Fits the following shanks: <ul style="list-style-type: none"> 1" X 2" shank 1.25" sq. coil shank 2" x 1.25" shank | <ul style="list-style-type: none"> • Heavy duty construction • Greasable hubs • Greasable pivots • Heavy duty cast iron bearing hub |
|---|---|

• Order manual: 2565-727



Model No.	Description	Est Wt	List Price
2920-051	Max Sealer Plus™, 18" Notch	87 lbs	\$ 470.00
2920-053	Max Sealer Plus™, Sharktooth® wheel	85 lbs	\$ 465.00
2920-054	Max Sealer Plus™, Sharktooth® universal	77 lbs	\$ 450.00
2920-055	Max Sealer Plus™, 18" Notch universal	84 lbs	\$ 455.00



Notch blade



*Shark tooth wheel®

2930/2950 Series Disc-Chisel Coulters



STANDARD FEATURES FOR ALL MODELS

- Sealed tapered roller bearings (pre-lubricated)
- 1-1/2" forged offset or straight shank
- Spring cushioned to reduce damage from obstructions
- 17" or 20" ripple blade
- Quality ductile castings used in cushioning mechanism
- Adjustable narrow L-bracket fits 4" x 4" and 4" x 6"

• Order manual: 2565-184 & 2565-185

Model No.	Description	Blade Style	Est. Wt.	List Price
2930-017#	Straight Shank Disc-Chisel Coulters (4x4 & 4x6)	17" Ripple Blade	81 lbs	\$ 335.00
2930-020#	Straight Shank Disc-Chisel Coulters (4x4 & 4x6)	20" Ripple Blade	87 lbs	\$ 345.00
2931-020#	Straight Shank Disc-Chisel Coulters (7x7)	20" Ripple Blade	87 lbs	\$ 345.00
2950-017#	Offset Shank Disc-Chisel Coulters (4x4 & 4x6)	17" Ripple Blade	84 lbs	\$ 365.00
2950-020#	Offset Shank Disc-Chisel Coulters (4x4 & 4x6)	20" Ripple Blade	90 lbs	\$ 375.00
2910-130-HD^	2910 Heavy Duty Disc-Chisel Coulters	See note below	95 lbs.	\$ 245.00

Other clamp kits available – call sales department for details.

^Order blade, shank and clamp kit from page 22.

Optional Equipment:

2910-114*	Spring Cushioned liquid injector kit	Manual 2565-391	14 lbs	\$ 91.00
2910-135*	Adjustable tip liquid injector kit	Manual 2565-725	21 lbs	\$ 86.00
2910-137*	High Clearance injector kit		23 lbs	\$ 85.00

*Also fits 2999 coulters assemblies



2910-114



2910-135



2910-137

2967 Series Frame Mount Floating Residue Manager



STANDARD FEATURES FOR ALL MODELS

- Adjustable mounting bracket
- Mounts on 2 1/2" sq., 3" sq., 4" sq., 5" sq., 7" sq. 5" x 7", 4" x 6", 3" dia. and 3 1/2" dia. Toolbars
- Greasable sealed double row bearings
- Heavy-duty cast bearing hubs
- Lock down or float capabilities
- Adjustable depth control

• Order manual: 2565-736

Section A

Model No.	Description	Est. Wt.	List Price Standard *	-ST* Shark tooth®	-BW* Bevel wheel
2967-039	Frame mount Titan™ floating residue manager	59 lbs	\$ 540.00	\$570.00	\$570.00
Section B					

*Add \$66.00 and -FW to part number for floater wheels

2996-120	2 1/2" U-bolt kit			3 lbs	\$ 22.00
2996-121	4" x 4" U-bolt kit			3 lbs	\$ 22.00
2996-122	5" x 5" U-bolt kit			3 lbs	\$ 22.00
2996-123	7" x 7" U-bolt kit			3 lbs	\$ 22.00
2996-124	5" x 7" U-bolt kit			3 lbs	\$ 22.00
2996-125	3" Diamond U-bolt kit			13 lbs	\$ 59.00
2996-126	3 1/2" Diamond U-bolt kit			15 lbs	\$ 69.00
2996-127	3" x 3" U-bolt kit			3 lbs	\$ 22.00

2967 Series Residue Managers



STANDARD FEATURES FOR ALL MODELS

• Order manual: 2565-736

- Greasable sealed double row ball bearings
- Adjustable depth control
- Two bearing seals for extra wear durability
- Double row heavy-duty greasable ball bearings for long life
- Lock down or float capabilities
- Heavy-duty cast bearing hubs
- Grade 5 bolts for added strength and
- Smooth-headed carriage bolts eliminate residue snagging

Model No.	Description	Est. Wt.	List Price Standard	-ST *Shark Tooth®
2967-033	Universal Residue Manager kit		\$ 495.00	\$ 525.00
2967-038	Residue Manager for DMI HCS shank		\$ 470.00	\$ 500.00

*Add \$66.00 and -FW to part number for floater wheels

Option: Bracket to mount on shank and add Face plate mount planter attachments.

2967-032	Universal Residue Manager Mount			\$ 160.00
----------	---------------------------------	--	--	-----------

2960 Series II Unit Mounted Conservation Coulters



STANDARD FEATURES FOR ALL MODELS

- Sealed tapered roller bearings (pre-lubricated)
- Planter unit mounted
- Greasable hub

• Order manual: 2565-630
or 2565-635

- Adjustable coulters arm
- Heavy-duty spindle

Model No.	Description	Blade Style	Est. Wt.	List Price
2960-015-R**	Fits Yetter 6000, JD 1700, 7000, 7100, 7200, 7300, and Kinze, with spring kit	16" Ripple	72 lbs	\$ 361.00
2960-015-W**	Fits same planters as 2960-015 with spring kit	16" Wave (8)	70 lbs	\$ 361.00
2960-015-S**	Fits same planters as 2960-015 with spring kit	16" Smooth	72 lbs	\$ 361.00
2960-015-SW**	Fits same planters as 2960-015 with spring kit	16" Shallow (13)	72 lbs	\$ 361.00
2960-015-MW**	Fits same planters as 2960-015 with spring kit	16" Multi (25)	72 lbs	\$ 361.00
2960-126**	Heavy-duty Spring Kit in 2960-015	N/A	31 lbs	\$ 160.00
2960-127-Rτ	Unit Mounted Coulters Fits same as 2960-015 plus White 6100 (less spring kit)	16" Ripple	42 lbs	\$ 240.00
2960-127-Sτ	Fits same as 2960-127 (less spring kit)	16" Smooth	45 lbs	\$ 240.00
2960-127-Wτ	Fits same as 2960-127 (less spring kit)	16" Wave (8)	42 lbs	\$ 240.00
2960-127-SWτ	Fits same as 2960-127 (less spring kit)	16" Shallow (13)	42 lbs	\$ 240.00
2960-127-MWτ	Fits same as 2960-127 (less spring kit)	16" Multi (25)	42 lbs	\$ 240.00
2960-020-MW*τ	Fits Case IH 800-900,950,955,1200	14-5/8" Multi(25)	36 lbs	\$ 266.00
2960-039-MWτ	Fits Monosem	14-5/8" Multi(25)	40 lbs	\$ 266.00

τ Down pressure spring kit not included.

* Will not fit Case IH/ 800-900 Horizontal Fold Planter unless 2 rows of the unit mounted attachments are removed before transporting. Will not fit first year production of Case IH 800 unless the Case/IH mount plate is modified.

** Spring kit will not fit Kinze planters with cast lugs on the parallel arms.

2982 Series Vertical Tillage Attachment



STANDARD FEATURES FOR ALL MODELS

- Double hub mounting
- Blades are spaced 6" apart

• Order manual: 2565-732

Section A

Model No.	Description	Est Wt	List Price
2982-001-MW	Vertical Tillage Attachment kit with 18" 25 wave blade	47 lbs	\$ 335.00
2982-001-SW	Vertical Tillage Attachment kit with 18" 13 wave blade	47 lbs	\$ 335.00
2982-001-W	Vertical Tillage Attachment kit with 18" 8 wave blade	47 lbs	\$ 335.00

Other blade options available – call Yetter sales department for details.

Optional equipment:

2982-102	VTA adaptor kit for NH3 shank	4 lbs	\$ 54.00
----------	-------------------------------	-------	----------

2960 Series Coulters for **White 8000 Series**

Model No.	Description	Blade Style	Est Wt	List Price
2960-134-LB	Universal coulters only for White 8000	No blade	40 lbs	\$ 212.00
2960-134-MW	Fits same as 2960-134	16" Multi (25)	45 lbs	\$ 245.00
2960-134-R	Fits same as 2960-134	16" Ripple	45 lbs	\$ 245.00
2960-134-S	Fits same as 2960-134	16" Smooth	45 lbs	\$ 245.00
2960-134-SW	Fits same as 2960-134	16" Shallow (13)	45 lbs	\$ 245.00
2960-134-W	Fits same as 2960-134	16" Wavy (8)	45 lbs	\$ 245.00

• Order manual: 2565-630

2960 Series Ultra Narrow Coulters for **White 8000 Series**

- Same features as Ultra Narrow Coulters with brackets

Model No.	Description	Blade Style	Est. Wt	List Price
2960-040-MW	Univ. Coulters only for WHITE 8000	16" Multi (25)	39 lbs	\$ 213.00
2960-040-R	Fits WHITE 8000	16" Ripple	39 lbs	\$ 213.00
2960-040-S	Fits WHITE 8000	16" Smooth	39 lbs	\$ 213.00
2960-040-SW	Fits WHITE 8000	16" Shallow (13)	39 lbs	\$ 213.00
2960-040-W	Fits WHITE 8000	16" Wavy (8)	39 lbs	\$ 213.00

2960 Series Ultra Narrow Coulters with brackets for U.N.T. Residue Manager

STANDARD FEATURES FOR ALL MODELS

- 16" diameter blade
- Sealed tapered roller bearings (pre-lubricated)
- Planter unit mounted
- Greasable hub
- Extra Heavy-duty spindle
- Adjustable coulters arm

• Order manual: 2565-692

Model No.	Description	Blade Style	Est. Wt.	List Price
2960-033-MW	Universal Coulters with mount for UNT Residue Manager Attachment for Kinze, JD 7000/7100 and Yetter	16" Multi (25)	48 lbs	\$ 235.00
2960-033-R	Fits same planters as 2960-033	16" Ripple	48 lbs	\$ 235.00
2960-033-S	Fits same planters as 2960-033	16" Smooth	48 lbs	\$ 235.00
2960-033-SW	Fits same planters as 2960-033	16" Shallow (13)	48 lbs	\$ 235.00
2960-033-W	Fits same planters as 2960-033	16" Wavy (8)	48 lbs	\$ 235.00
2960-034-MW	Universal Coulters with mount for UNT Residue Manager Attachment for JD MEII/MEII+/ME XP/White 9000	16" Multi (25)	48 lbs	\$ 235.00
2960-034-R	Fits same planters as 2960-034	16" Ripple	48 lbs	\$ 235.00
2960-034-S	Fits same planters as 2960-034	16" Smooth	48 lbs	\$ 235.00
2960-034-SW	Fits same planters as 2960-034	16" Shallow (13)	48 lbs	\$ 235.00
2960-034-W	Fits same planters as 2960-034	16" Wavy (8)	48 lbs	\$ 235.00
2960-041-MW	Univ. Coulters with mount for UNT Residue Manager for WHITE 8000	16" Multi (25)	39 lbs	\$ 235.00
2960-041-R	Fits WHITE 8000	16" Ripple	39 lbs	\$ 235.00
2960-041-S	Fits WHITE 8000	16" Smooth	39 lbs	\$ 235.00
2960-041-SW	Fits WHITE 8000	16" Shallow (13)	39 lbs	\$ 235.00
2960-041-W	Fits WHITE 8000	16" Wavy (8)	39 lbs	\$ 235.00

2959 Series Planter Unit Mounted Fertilizer Injector



STANDARD FEATURES FOR ALL MODELS

- 16" Blade, Ripple or 25 Wave
- Injects fertilizer 2" off the row
- Heavy-duty spindle
- Adjustable arm
- Planter unit mounted
- Greasable hub

• Order manual: 2565-482

Model No.	Description	Est. Wt.	List Price
2959-003	Unit Mounted Fertilizer Inj. Coulters to fit Yetter 6000, JD 1700, 7000, 7100, 7200, 7300, Kinze and White 6000. 16" Ripple	43 lbs	\$ 287.00
2959-003-MW	Unit Mounted Fertilizer Inj. Coulters to fit Yetter 6000, JD 1700, 7000, 7100, 7200, 7300, Kinze and White 6000. 16" 25 Wave	43 lbs	\$ 287.00

2959-104 2959 Spring injection add on kit 4.02 lbs \$ 64.00

• Order manual: 2565-468

Optional 2959 Series Floating Residue Manager

Model	Description	Est Wt	List Price		
			Standard	-ST Shark Tooth®	-BW Bevel Wheel
2967-180	Residue Manager Attachment for 2959 Coulters	48 lbs	\$ 361.00	\$ 391.00	\$ 391.00

• If you would like the Optional Floater wheel - simply add -FW to the part number and add \$66.00 to the list price.

• Order manual: 2565-483

2962 Series Row Mount Double Disc Fertilizer Coulters



STANDARD FEATURES FOR ALL MODELS

- 13.5" notched blade
- 12.5" smooth blade
- Fits Yetter 6000, JD 1700, 7000, 7100, 7200, 7300, Kinze, New Idea and White 6100
- Left hand and right hand available
- 3/8" stainless steel tube

• Order manual: 2565-731



LIQUID

Model	Description	Est. Wt.	List Price
2962-003	LH Row Mount Double Disc Fertilizer assy with smooth/notch blade	29 lbs	\$ 525.00
2962-004	RH Row Mount Double Disc Fertilizer assy with smooth/notch blade	29 lbs	\$ 525.00

New

DRY

Model	Description	Est. Wt.	List Price
2962-010	LH Row Mount Double Disc Fertilizer assy with smooth/notch blade	29 lbs	\$ 555.00
2962-011	RH Row Mount Double Disc Fertilizer assy with smooth/notch blade	29 lbs	\$ 555.00

Optional 2962 Series Screw Adjust Residue Manager

Model	Description	Est Wt	List Price		
			Standard	-ST *Shark Tooth®	-BW Bevel
2962-005*	Screw adjust Residue Manager attachment for the 2962	47 lbs	\$ 366.00	\$ 396.00	\$ 396.00

• If you would like the Optional Floater wheel - simply add -FW to the part number and add \$66.00 to the list price.

2966 Series Floating Single wheel Residue Manager for 60/90 Series opener



STANDARD FEATURES FOR ALL MODELS

- Spring loaded
- Lift chain
- Greasable sealed double row ball bearings
- Double row heavy-duty greasable ball bearings

Not compatible with box drills

• Order manual: 2565-759

Model	Description	Est Wt	List Price
2966-002-L-STFW	LH FLTG SNGL WL RM for JD 60/90 series opener w/-602	63 lbs	420.00
2966-002-R-STFW	RH FLTG SNGL WL RM for JD 60/90 series opener w/-602	63 lbs	420.00

2966 Series Floating Single wheel Residue Manager for Twin Row Planter

STANDARD FEATURES FOR ALL MODELS

- Greasable sealed double row ball bearings
- Heavy-duty cast bearing hubs
- Adjustable depth control
- Grade 5 bolts for added strength and durability
- Two bearing seals for extra wear

Must be hydraulic drive

• Order manual: 2565-780

Model	Description	Est Wt	List Price
2966-020-L-STFW	LH FLTG SNGL WL RM for JD Twin Row planter w/-602 and floater wheel	60 lbs	\$ 361.00
2966-020-R-STFW	RH FLTG SNGL WL RM for JD Twin Row planter w/-602 and floater wheel	60 lbs	\$ 361.00

2967 Series Floating Single wheel Residue Manager for twin row



STANDARD FEATURES FOR ALL MODELS

- Greasable sealed double row ball bearings
- Adjustable depth control
- Two bearing seals for extra wear
- Heavy-duty cast bearing hubs
- Grade 5 bolts for added strength and durability

• Order manual: 2565-763

Model	Description	Est Wt	List Price	-ST	-BW
		Standard *Shark Tooth® Bevel			
2967-002-L	LH Single arm Residue Manager for twin row planter	60 lbs	\$ 292.00	\$ 307.00	\$ 307.00
2967-002-R	RH Single arm Residue Manager for twin row planter	60 lbs	\$ 292.00	\$ 307.00	\$ 307.00

* add – FW to the part number for the floater wheel option and 33.00 to the price.

2967 Series Floating Single wheel Residue Manager for Monosem



STANDARD FEATURES FOR ALL MODELS

- Greasable sealed double row ball bearings
- Adjustable depth control
- Two bearing seals for extra wear
- Heavy-duty cast bearing hubs
- Grade 5 bolts for added strength and durability

• Order manual: 2565-768

Model	Description	Est Wt	List Price	-ST	-BW
		Standard *Shark Tooth® Bevel			
2967-003-L	LH FLTG SNGL WL Residue Manager	63 lbs	\$ 280.00	\$ 295.00	\$ 295.00
2967-003-R	RH FLTG SNGL WL Residue Manager	63 lbs	\$ 280.00	\$ 295.00	\$ 295.00

* add – FW to the part number for the floater wheel option and 33.00 to the price.

2967 Series Residue Manager



Same features as 2965 Series with different wheel options.

• Order manual: 2565-631

Model	Description	Est Wt	List Price		-ST	-BW
			Standard	*Shark Tooth®	Bevel	
2967-016	Residue Manager without a mounting kit	33 lbs	\$ 285.00	\$ 315.00	\$ 315.00	\$ 315.00
2967-028	Residue Manager for use with JD 1700, 7000, 7100, 7200,7300, Kinze 2000, 3000, New Idea,White 6100 & 8000	37 lbs	\$ 325.00	\$ 355.00	\$ 355.00	\$ 355.00
2967-036	Narrow Row Fits Case IH 800-900, 950, 955, 1200	38 lbs	\$ 351.00	\$ 381.00	\$ 381.00	\$ 381.00
2967-046	Narrow Row Residue Manager less mounting	33 lbs	\$ 315.00	\$ 345.00	\$ 345.00	\$ 345.00
2967-048	Narrow Row Residue Manager for use with JD 1700, 7000, 7100, 7200,7300, Kinze 2000, 3000, New Idea,White 6100 & 8000	38 lbs	\$ 351.00	\$ 381.00	\$ 381.00	\$ 381.00
2967-081	Residue Manager for JD 7200/1700 toolbar hanger assy	30 lbs	\$ 240.00	\$ 270.00	\$ 270.00	\$ 270.00
2967-106*	Fits Case IH 800-900, 950, 955, 1200	37 lbs	\$ 325.00	\$ 355.00	\$ 355.00	\$ 355.00

*Will not fit Case IH 800-900 Horizontal Fold planter unless 2 rows of the unit mount attachments are removed before transporting. Will not fit first year production of 800 unless the Case IH mount plate is modified.

2967 Series Residue Manager Attachments



STANDARD FEATURES FOR ALL MODELS

- Same features as the 2967 Clean up Crew

• Order manual: 2565-327

Model	Description	Est Wt	List Price		-ST	-BW
			Standard	*Shark Tooth®	Bevel	
2967-115	Residue Manager attachment for use with any 2960-127/ 2960-015 Series Unit Mounted Coulter	42 lbs	\$ 325.00	\$ 355.00	\$ 355.00	\$ 355.00

- If you would like the *Optional Floater wheel* - simply add *-FW* to the part number and add \$66.00 to the list price.

Note: For coulter options – see page top of 7 and top of 8.

Optional Equipment:

2967-070	Quick Adjust for 2967-115				4 lbs	\$ 65.00
----------	---------------------------	--	--	--	-------	----------

• Order manual: 2565-442

2967 Series Screw Adjust Residue Manager



STANDARD FEATURES FOR ALL MODELS

- Planter unit mounted
- Adjustable depth control
- Two bearing seals for extra wear
- Double row heavy-duty greasable ball bearings for long life
- Heavy-duty cast bearing hubs
- Grade 5 bolts for added strength and durability
- Smooth-headed carriage bolts, eliminate residue snagging

• Order manual: 2565-729

Model	Description	Est Wt	List Price		
			Standard	*Shark Tooth®	-ST Bevel
2967-011	Fits Kinze ('93 to present with air bags)	45 lbs	\$ 370.00	\$ 400.00	\$ 400.00
2967-052^	Fits JD 1700,7200,7300, New Idea and White 6100 with standard 14" parallel arms SEE NOTE BELOW	45 lbs	\$ 370.00	\$ 400.00	\$ 400.00
2967-053\$	Fits Case IH 800-900, 950, 955, 1200, 1250	45 lbs	\$ 370.00	\$ 400.00	\$ 400.00
2967-057^	Fits JD Planters with long 21" parallel arms or 7000, 7100 standard, Kinze ('92 and older) planters SEE NOTE	45 lbs	\$ 370.00	\$ 400.00	\$ 400.00
2967-058	Fits White 8000	45 lbs	\$ 370.00	\$ 400.00	\$ 400.00

\$ Will not fit Case IH 800-900 Horizontal Fold planter unless 2 rows of the unit-mounted attachments are removed before transporting. Will not fit first year production of 800 unless the Case IH mount plate is modified.

2967 Series Narrow Row Screw Adjust Residue Manager

STANDARD FEATURES FOR ALL MODELS

• Order manual: 2565-729

- Same features as Screw Adjust only with the narrow row stem.

	Description	Est Wt	List Price		
			Standard	*Shark Tooth®	-ST Bevel
2967-012	Fits Kinze ('93 to present with air bags)	45 lbs	\$ 400.00	\$ 430.00	\$ 430.00
2967-054^	Fits JD 1700,7200,7300, New Idea and White 6100 with standard 14" parallel arms SEE NOTE BELOW	45 lbs	\$ 400.00	\$ 430.00	\$ 430.00
2967-056^	Fits JD 1700 Series, 7240, 7340, 1530, 1535 with long (21") parallel arms and 7000,7100 standard, Kinze ('92 and older) SEE NOTE BELOW	45 lbs	\$ 400.00	\$ 430.00	\$ 430.00

^NOTE: 15" spacing contact Yetter Sales department.

2967 Series Short Titan™ Residue Manager



STANDARD FEATURES FOR ALL MODELS

- Same features as standard Titan™
- Not for use with Unit Mount coulter
- Short Titan™ dimensions:
- For 30", 36" & 40" rows
- Maximum length 15 5/8"
- Minimum width 11 3/4"
- Maximum width 12 3/4"

15" Titan™ dimensions:

- For 15", 20" & 22" rows
- Maximum length 15 7/8"
- Minimum width 11 1/8"
- Maximum width 12 3/8"

• Order manual:

-029/-097 2565-696
-013/-014 2565-748

Shown w/ optional floater wheels

Model	Description	Est Wt	List Price	-ST	-BW
			Standard	*SharkTooth®	Bevel
2967-029	Short Arm Floating Residue Manager fits JD 1700, 7000, 7200, Kinze 2000, 3000, 4900, White planters	49 lbs	\$ 388.00	\$ 418.00	\$ 418.00
2967-013	15" Short Narrow floating Residue Manager fits JD1700, 7000, 7200, Kinze 2000, 3000, 4900, White planters	49 lbs	\$ 388.00	\$ 418.00	\$ 418.00
2967-097^	Short Ultra Titan™ to fit CNH planter	42 lbs	\$ 388.00	\$ 418.00	\$ 418.00
2967-014^	15" Short Ultra Narrow Titan™ fits CNH planter	42 lbs	\$ 388.00	\$ 418.00	\$ 418.00

^800, 900, 950, 955 (4-6-8-12-16-24 row) and 1200, 1220 (6-8 row) could contact hex driveshaft

If you would like the Optional Floater wheel - simply add -FW to the part number and add \$66.00 to the list price.

2967 Series Floating Screw Adjust Residue Manager



STANDARD FEATURES FOR ALL MODELS

- Same features as standard Short Titan™
- Not for use with Unit Mount coulter
- Adjustable depth control
- Planter unit mounted
- Float or lock down capability

• Order manual: 2565-766

Shown w/ optional floater wheels

Model	Description	Est Wt	List Price	-ST	-BW
			Standard	*Shark Tooth®	Bevel
2967-001	15" Short Narrow floating Residue Manager fits JD 1700, 7000, 7200, Kinze 2000, 3000, 4900, White planters	49 lbs	\$ 505.00	\$ 535.00	\$ 535.00
2967-004	Short Arm Floating Residue Manager fits JD 1700, 7000, 7200, Kinze 2000, 3000, 4900, White planters	49 lbs	\$ 505.00	\$ 535.00	\$ 535.00
2967-063	15" Short Ultra Narrow Titan™ fits CNH planter	49 lbs	\$ 505.00	\$ 535.00	\$ 535.00
2967-064	Short Ultra Titan™ to fits CNH planters	49 lbs	\$ 505.00	\$ 535.00	\$ 535.00

If you would like the Optional Floater wheel - simply add -FW to the part number and add \$66.00 to the list price.

Optional Equipment for The Clean-Up Crew

2967-074	Attachment adaptor for Great Plains row units	13 lbs	\$ 23.00
2967-076	Single wheel Residue Manager strap assembly	3 lbs	\$ 30.00
2967-186	Floater wheel (Requires 2 per row)	5 lbs	\$ 35.00
2966-199	Soil Shield (Requires 2 per row)	4 lbs	\$ 30.00

2967 Series Titan™ Residue Manager for JD 7200 and newer Coulter



Shown w/ -ST & floater wheel

STANDARD FEATURES FOR ALL MODELS

- **Units are factory assembled complete**
 - Greasable sealed double row ball bearings
 - Adjustable depth control
 - Two bearing seals for extra wear
 - Double row heavy-duty greasable ball bearings for long life
 - Planter unit mounted
 - Lock down or float capability
 - Heavy-duty cast bearing hubs
 - Grade 5 bolts for added strength and durability
 - Smooth-headed carriage bolts, eliminate residue snagging
- **Order manual:**
2967-042 model 2565-754
2967-043 model 2565-755

Standard Wheel

Model	Description	Est Wt	List Price	
			Wheel	w/floaters
2967-042	Titan™ Residue Manager for John Deere 7200 and newer coulter with -404 standard wheel	52 lbs	\$ 415.00	\$ 481.00
2967-043	Screw Adjust Titan™ Residue Manager for John Deere 7200 and new coulter with -404 standard wheels and Floater wheels (2967-186)	66 lbs	\$ 483.00	\$ 549.00

Shark tooth® Wheel

2967-042-ST	Titan™ Residue Manager for John Deere 7200 and newer coulter with -ST wheel	53 lbs	\$ 445.00	\$ 511.00
2967-043-ST	Screw Adjust Titan™ Residue Manager for John Deere 7200 and newer coulter with -ST wheels and Floater wheels (2967-186)	66 lbs	\$ 515.00	\$ 581.00

Bevel Wheel

2967-042-BW	Titan™ Residue Manager for John Deere 7200 and newer coulter with -BW wheel	53 lbs	\$ 445.00	\$ 511.00
2967-043-BW	Screw Adjust Titan™ Residue Manager for John Deere 7200 and newer coulter with -BW wheels and Floater wheels (2967-186)	66 lbs	\$ 515.00	\$ 581.00

2967 Series Titan™ Residue Manager



2967-035

STANDARD FEATURES FOR ALL MODELS

- Same features as the 2967 Clean up Crew
- Lock down or float capability



• **Order manual:** 2565-695

2967-008-ST-FW

Model	Description	Est Wt	List Price	-FW
2967-035	Titan™ Face Plate Mount Floating Residue Manager Fits Yetter 6000, JD 7000, 7200, Kinze 2000, 3000, White 6100, 8000	60 lbs	\$ 388.00	\$ 454.00
2967-035-BW	Titan™ Face Plate Mount Floating Residue Manager w/Bevel Wheel	60 lbs	\$ 418.00	\$ 484.00
2967-035-ST	Titan™ Face Plate Mount Floating Residue Manager w/ Shark Tooth® wheel	60 lbs	\$ 418.00	\$ 484.00
2967-008**	Titan™ Floating Residue Manager; Fits CNH 1200, 1240 & 1250 (For use with 2960-020 Coulter)	55 lbs	\$ 371.00	\$ 437.00
2967-008-BW**	Titan™ Floating Residue Manager w/ Bevel Wheel	55 lbs	\$ 401.00	\$ 467.00
2967-008-ST**	Titan™ Floating Residue Manager w/ Shark Tooth® wheel	55 lbs	\$ 401.00	\$ 467.00

** NOTE: not for use on all planter models (800, 900, 955, 1200) with the drive shaft below the frame.

2967 Series Ultra Narrow Titan™ Residue Manager

STANDARD FEATURES FOR ALL MODELS



- **Units are factory assembled complete**
- Greasable sealed double row ball bearings
- Adjustable depth control
- Two bearing seals for extra wear
- Double row heavy-duty greasable ball bearings for long life
- Planter unit mounted
- Lock down or float capability
- Heavy-duty cast bearing hubs
- Grade 5 bolts for added strength and durability
- Smooth-headed carriage bolts, eliminate residue snagging

• Order manual: 2565-692

Standard Wheel

Model	Description	Est Wt	List Price
2967-007	UNT Residue Manager kit for 2960-033 and 2960-034 coulters with -404 wheels	50 lbs	\$ 356.00
2967-007-FW	UNT Residue Manager kit for 2960-033 and 2960-034 coulters with -404 wheels and Floater wheels (2967-186)	59 lbs	\$ 422.00

Shark Tooth® Wheel

2967-007-ST	UNT Residue Manager kit for 2960-033 and 2960-034 coulters with -ST wheels	52 lbs	\$ 386.00
2967-007-ST-FW	UNT Residue Manager kit for 2960-033 and 2960-034 coulters with -ST wheels and Floater wheels (2967-186)	61 lbs	\$ 452.00

Bevel Wheel

2967-007-BW	UNT Residue Manager kit for 2960-033 and 2967-034 coulters with -BW wheels	52 lbs	\$ 386.00
2967-007-BW-FW	UNT Residue Manager kit for 2960-033 and 2967-034 coulters with -BW wheels and Floater wheels (2967-186)	61 lbs	\$ 452.00

Note: For coulters options - see bottom of page 8.

2960 Series Brackets for U.N.T. Residue Manager

Part number to mount the 2967-007 less the coulters assembly.

2960-035	U.N.T. MOUNT KIT(JD-MEII+/XP)	28 lbs	\$ 60.00
----------	-------------------------------	--------	----------

2940 Series Air Adjust Residue Managers

STANDARD FEATURES



Residue manager:

- Features parallel linkage so manager floats with ground contour
- Available in wide and narrow width
- Adjust up and down pressure to create the ideal ride for residue managers
- Down pressure can be increased to fix row cleaner in rigid position
- Units can be raised from cab as needed with push of a button



Manual 2565-773

Visit <http://www.yetterco.com> for video and more info or contact the Yetter sales team

ORDER FROM ALL 5 SECTIONS (A or B):

1A

RESIDUE MANAGER:

Model	Description	Est Wt	List Price		
			Standard	-ST Shark Tooth®	-BW Bevel
Order Multiple					
2940-001	Air Adjust Residue Manager fits JD 1700, 7000, 7200, Kinze 2000, 3000, 4900, White planters	lbs	\$ 742.00	\$ 772.00	\$ 772.00
2940-002	Air Adjust Residue Manager for Narrow Row fits: JD 1700, 7000, 7200, Kinze 2000, 3000, 4900, White planters	lbs	\$742.00	\$ 772.00	\$ 772.00
2940-003	Air Adjust Residue Manager fits CNH planters	lbs	\$ 773.00	\$803.00	\$ 803.00
2940-004	Air Adjust Residue Manager for Narrow Row fits: CNH planters	lbs	\$ 773.00	\$ 803.00	\$ 803.00

If you would like the Optional Floater wheel - simply add -FW to the part number and add \$66.00 to the list price.

STANDARD FEATURES



- 16" diameter blade
- Adjustable coulters arm
- Coulters can be removed and residue manager still be used
- Adjustable up and down pressure for residue manager
- Residue manager can be raised or lowered from the cab with the push of a button
- Down pressure can be increased to fix row cleaner rigid
- Down pressure can be decreased to create ideal ride for residue manager
- Floater wheels come standard



1B

COMBO RESIDUE MANAGER:

Model	Description	Est Wt	List Price
Order Multiple			
2940-010-FW	Air Adjust Residue Manager fits JD 1700, 7000, 7200, Kinze 2000, 3000, 4900, White planters (Includes no-till coulters less blade. Must order blade below.)	lbs	\$ 900.00
2940-010-ST-FW	Air Adjust Residue Manager fits same as 010-FW with Shark tooth wheels®	lbs	\$ 930.00
2940-010-BW-FW	Air Adjust Residue Manager Combo fits same as -010-FW but includes Bevel Wheels	lbs	\$ 930.00

Blade Models	Description	Est Wt	List Price
2571-162	13 Wave 16" blade	lbs	\$45.00
2571-172	25 Wave 16" blade	lbs	\$45.00
2571-161	16" Ripple blade	lbs	\$45.00

TEE KIT: To calculate the number of packages of tees needed for installation use chart below to figure quantity and price.

2940-147	Package of 10 tees	lbs	\$ 14.00
----------	--------------------	-----	----------

2A Use the chart below for the short floating residue manager ordered out of part 1A.

Chart below has been calculated using number of rows x 2 and add 6 to quantity: $24 \times 2 = 48 + 6 = 54$

Rows	# of T-Kits	T-Price	Rows	# of T-Kits	T-Price
8 or 12	3	42	36	8	112
15 or 16	4	56	48	11	154
23 or 24	6	84	54	12	168
31	7	98			

2B Use the chart below for the combo residue manager ordered out of part 1B.

Chart below has been calculated using number of rows x 3 and add 6 to quantity: $24 \times 3 = 72 + 6 = 78$

Rows	# of T-Kits	T-Price	Rows	# of T-Kits	T-Price
8	3	42	31	10	140
12	5	70	36	12	168
15 or 16	6	84	48	15	210
23 or 24	8	112	54	17	238

3A Wiring Kit if using Yetter 2940-050 Compressor

4-Wheel Drive Articulated Tractors will require wire harness extensions in addition to the planter width specific wiring kit.

WIRING AND TUBING KIT: Order one

2940-065	20' Wiring and tubing kit; 8R30", 12R20", 12R22", 8/15	lbs	\$ 1,751.00
2940-066	30' Wiring and tubing kit; 12R30", 16R22", 12/23, 12/24	lbs	\$ 2,016.00
2940-067	40' Wiring and tubing kit; 16R30", 24R20", 16/31, 16/32	lbs	\$ 2,071.00
2940-068	44'/48' Wiring and tubing kit; 16R36", 24R22"	lbs	\$ 2,176.00
2940-069	60/66' Wiring and tubing kit; 24R30", 36R20", 36R22", 32R22", 24/47	lbs	\$ 2,334.00
2940-070	80/90' Wiring and tubing kit; 32R30", 36R30", 48R22", 54R20"	lbs	\$ 2,547.00
2940-071	120' Wiring and tubing kit; 48R30"	lbs	\$ 2,812.00
2940-169	10' Can Aux to air assembly extension	lbs	\$ 74.00

3a.1 Electric 2940 WIRE HARNESS EXT FOR ARTICULATED TRACTOR

2940-163	20' Main power extension	lbs	\$ 191.00
2940-430	20' Can aux air extension	lbs	\$ 157.00

SPLIT ROW PLANTER KITS:

For planters that are 16/31, 16/32 and 24/47 need to order one each:

2940-072	Split Row Kit - Includes: black and blue hoses, ball valves, dump valves and wiring	lbs	\$ 560.00
----------	---	-----	-----------

3B Wiring Kit if using OEM Hydraulic Compressor and our 2940-053

4-Wheel Drive Articulated Tractors will require wire harness extensions in addition to the planter width specific wiring kit.

WIRING AND TUBING KIT: Order one

2940-075	20/30' Hydraulic Wiring Tubing Kit, Non ISO; 8R30", 12R20", 12R22", 8/15, 12R30", 16R22", 12/23, 12/24	lbs	\$ 2,060.00
2940-076	40/44' Hydraulic Wiring Tubing Kit, Non ISO; 16R30", 24R20", 24R22", 16/31, 16/32	lbs	\$ 2,086.00
2940-077	48/60/66' Hydraulic Wiring Tubing Kit, Non ISO; 16R36", 24R22", 24R30", 36R20", 36R22", 32R22", 24/47	lbs	\$ 2,395.00
2940-078	80/90/120' Hydraulic Wiring Tubing Kit, Non ISO; 32R30", 36R30", 48R22", 54R20", 48R30"	lbs	\$ 3,502.00

3b.1 Hydraulic 2940 WIRE HARNESS EXT FOR ARTICULATED TRACTOR

2940-430	20' Can aux air extension	lbs	\$ 157.00
----------	---------------------------	-----	-----------



STANDARD FEATURES

Yetter Compressor:

- Make adjustments quickly and accurately during planting with in-cab controller
- Height and down pressure settings can be adjusted independently
- Height and down pressure settings
- Presets can be programmed with controller for quick changes

4A

PNEUMATIC COMPRESSOR KIT: (See Page 19 if using OEM or Yetter Hydraulic Compressor)

INCLUDES: cab controller, RAM mount kit, compressor assembly with 20 gallon tank and instruction kit

Order one

2940-050	Pneumatic compressor kit: Controls up to 3 pressures; Up/down/aux	lbs	\$ 6,896.00
----------	---	-----	-------------

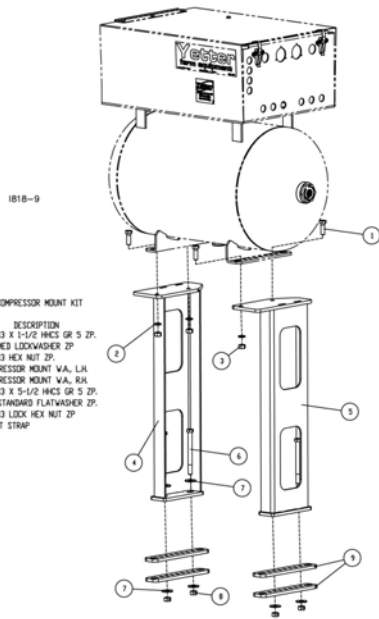
5A

COMPRESSOR MOUNTING TANK KIT: Order one

2940-085	Two point hitch or universal compressor mount kit	lbs	\$ 258.00
2940-086	Planter draft tube or universal compressor mount kit	lbs	\$ 206.00



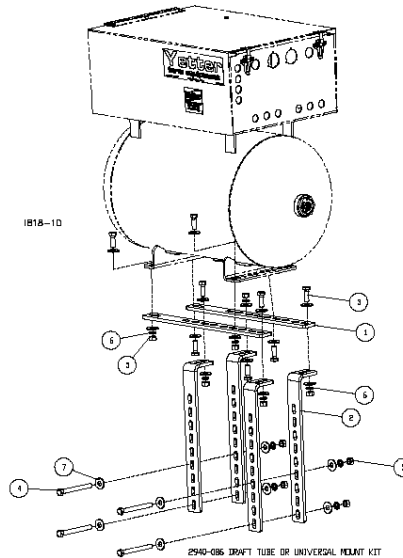
2940-085



TWO POINT OR UNIVERSAL COMPRESSOR MOUNT KIT

ITEM	QTY	PART NO.	DESCRIPTION
1	4	2502-294	1/2-13 X 1-1/2 RHCS GR 5 ZP.
2	4	2525-252	1/2 MED LOCKWASHER ZP.
3	4	2520-252	1/2-13 HEX NUT ZP.
4	1	2940-257	COMPRESSOR MOUNT V.A., L.H.
5	1	2940-258	COMPRESSOR MOUNT V.A., R.H.
6	4	2500-268	1/2-13 X 5/16 RHCS GR 5 ZP.
7	4	2526-251	1/2 STANDARD FLATWASHER ZP.
8	4	2520-257	1/2-13 LOCK HEX NUT ZP.
9	4	2940-255	MOUNT STRAP

2940-086



2940-086 DRAFT TUBE OR UNIVERSAL MOUNT KIT

ITEM	QTY	PART NO.	DESCRIPTION
1	2	2940-244	COMPRESSOR STRAP
2	4	2940-251	COMPRESSOR MOUNT BRACKET
3	8	2502-294	1/2-13 X 1-1/2 RHCS GR 5 ZP.
4	4	2502-249	1/2-13 X 5 FL THD RHCS GR 5 ZP.
5	12	2520-252	1/2-13 HEX NUT ZP.
6	12	2525-252	1/2 MED LOCKWASHER ZP.
7	20	2526-251	1/2 STANDARD FLATWASHER ZP.



STANDARD FEATURES

Yetter Regulator for Hydraulic Compressor

- Use Hydraulic Compressor currently on the planter
- Provides the same control functions as the 2940-050, but less the compressor & tank
- Convenient mounting kits for the module

4B

OEM OR YETTER HYDRAULIC COMPRESSOR KIT- Order one

INCLUDES: cab controller, RAM mount kit, instruction kit

2940-053	Pneumatic Hydraulic Control Kit for Hydraulic Compressors: Controls Up To 3 Pressures: (Up/Down/Aux or WT)	38 lbs	\$ 5,765.00
2940-054	Pneumatic Hydraulic Control Kit for Hydraulic Compressors: Controls Up To 6 Pressures: (Up/Down/Aux or WT) X 2	lbs	\$ 8,395.00

◆ See page 20 Section 6 to order hydraulic compressor if needed.

◆ See page 20 Optional Equipment for Isobus option

5B

OEM OR YETTER HYDRAULIC COMPRESSOR KIT: For 2940-053/ 054 - Order one

2940-082	5x7 and 7x7 Bar Mount Kit (Main Planter Toolbar)	lbs	\$ 155.00
2940-083	8x16 and 8x12 Bar Mount Kit (Drawbar outer telescope tube)	13lbs	\$ 130.00
2940-084	Universal Hand Rail Mount Kit	14 lbs	\$ 90.00

2940-084 Mount



2940-083 Mount



2940-082



STANDARD FEATURES

Pneumatic Hydraulic Compressor



- Hydraulic control kit provides air source for 2940-053 and 2940-054
- 12 gallon tank
- Quick recovery
- Plumbing into planter lift or directly into tractor



(Must order from each section A, B & C)

6A

PNEUMATIC HYDRAULIC COMPRESSOR INCLUDES:

Instruction kit, 10' wiring harness

2940-055	Pneumatic compressor kit : Hydraulic	lbs	\$ 2,500.00
----------	--------------------------------------	-----	-------------

Note: Must order from section 4B to control air supply

6B

COMPRESSOR HOSE KIT OPTIONS:

Order one

2940-088	Hydraulic Hose and fitting kit (Planter)	lbs	\$ 220.00
2940-089	Hydraulic Hose and fitting kit (Stand alone)	lbs	\$ 175.00

6C

COMPRESSOR MOUNT KIT OPTIONS:

Order one

2940-090	Hydraulic Compressor Mount Kit 8x12 (Drawbar outer telescope tube)	lbs	\$ 85.00
2940-091	Hydraulic Compressor Mount Kit 8x16 (Drawbar outer telescope tube)	lbs	\$ 85.00
2940-085	Two point hitch or universal compressor mount kit	lbs	\$ 258.00
2940-086	Planter draft tube or universal compressor mount kit	lbs	\$ 206.00

WIRING HARNESS EXTENSION KIT: (optional)

2940-182	20' Hydraulic Compressor Control Harness	lbs	\$ 67.00
----------	--	-----	----------

2940 Series Optional Equipment

2940-049	Air adjust mount extension kit (Need 1 per row for use with – HD scrapers on JD planters – need 1 per row)	lbs	\$ 50.00
2940-087	Rear Isobus Kit	10 lbs	\$ 1,236.00

2968 Series Row –Unit Mount in Between Fertilizer Opener



STANDARD FEATURES FOR ALL MODELS

- 10” diameter high carbon steel fertilizer wheel
- Row unit mounted
- Precision fertilizer placement
- Places fertilizer 2” over from seed
- Adjustable depth of fertilizer placement



• Order manual: 2565-752

Model	Description	Est. Wt.	List Price
2968-020	Row unit mount fertilizer - fits JD 1700,7200,7300	27 lbs	\$ 282.00
2968-021	Row unit mount fertilizer - fits Kinze, JD planters 7000 and 7100	27 lbs	\$ 282.00
2968-022	Row unit mount fertilizer - fits White 8000	27 lbs	\$ 282.00
2968-023	Row unit mount fertilizer – fits Great Plains	27 lbs	\$ 282.00
2968-024	Row unit mount fertilizer – fits Monosem	27 lbs	\$ 282.00
2968-030	Row unit mount fertilizer – fits CNH Planters	10 lbs	\$ 106.00

2995 Series T.O.W.™ Opener

STANDARD FEATURES FOR ALL MODELS

- Ideal for dual fertilizer application
- Parallel linkage 2995 coulters
- Mounting bracket sandwiches row unit for added strength
- Wide range of coulters to row spacing
- Suited for most tillage practices
- Adjustable depth
- Injects fertilizer for True Placement

• Order manual: 2565-717

Section A Order One Model No.

Model No.	Description	Est. Wt.	List Price
2995-014	Right hand TOW™ fertilizer opener JD and Kinze planter	111 lbs	\$ 510.00
2995-015	Left hand TOW™ fertilizer opener JD and Kinze planter	111 lbs	\$ 510.00

Section B Order One Model No.

2571-014	14” Double bevel smooth blade	7 lbs	\$ 51.00
2571-022	13” 13 wave blade	4 lbs	\$ 38.00
2571-189	13” 25 wave blade	5 lbs	\$ 51.00

Section C Order One Model No.

2995-109	Spring cushioned heavy-duty liquid injection kit	8 lbs	\$ 64.00
----------	--	-------	----------



**Extension Brackets and Front Bar Mount Kits
For 1995 and Generation III Fertilizer Coulters**

Model	Description	Est Wt	List Price
2970-044	Extension brackets, 4 row Case/IH 800, 900 & 950 (see below)*	97 lbs	\$ 320.00
2970-063	Extension brackets, 6 row Case/IH 800,900 & 950 (see below)* *Used to mount dry fertilizer coulters. Provides 2.5" sq. bar 6" in front of 2" x 6" bar. Required to align dry fertilizer knife with fertilizer hopper drop tubes.	114 lbs	\$ 392.00
2970-135	Front bar kit for JD 7000 4 Row and 6 Row Narrow planters	248 lbs	\$1,030.00
2970-136	Front bar mount kit for JD 7000 6 Row Wide and 8 Row Narrow planters	350 lbs	\$1,489.00
2970-162	10" Extension bracket. Used on White planters to move 3" x 3" diamond bar 10" forward so coulters can clear drive shaft	17 lbs	\$ 62.00
2970-163	Extension bracket. Used on White planters to move 3" x 3" diamond bar Forward so coulters can clear drive shaft. For dry fertilizer.	32 lbs	\$ 145.00
2970-179	Front bar kit 4 RN & W/ 6 RN. Fits Case/IH 800, 900 & 950	183 lbs	\$ 598.00
2975-128	Mounting kit for 16 row JD 7200 planters (liquid fertilizer only)	423 lbs	\$1,226.00
2975-129	Front bar reinforcing bracket kit. Use with 2975-130 and 2975-131	63 lbs	\$ 186.00
2975-130	Extension kit for 4 Row Narrow/Wide and 6 Row Narrow JD 7200 Drawn planters With 3" x 3" bar.	139 lbs	\$ 598.00
2975-131	Extension kit for 6 Row Wide and 8 Row Narrow JD 7200 Drawn planters With 3" x 3" bar	111 lbs	\$ 855.00
2975-138	JD 7300 Flex Hitch offset kit	97 lbs	\$ 531.00
2975-142	Bar remount kit for Kinze Series II single frame planters, (Dry fertilizer only)	65 lbs	\$ 232.00
2975-148	Kinze bar kit, 5" x 7" & 7" x 7" (2 rows)	68 lbs	\$ 371.00
2975-172	Front bar mounting kit for JD Flex Fold planters. Used for middle 6 coulters.	295 lbs	\$ 1,010.00
2975-188	6" Set back bracket for JD 7000, Yetter and Kinze	28 lbs	\$ 170.00
2975-189	6" Set back bracket for JD 7200	30 lbs	\$ 170.00
2990-148	Front bar mounting kit for pull-type planters without fertilizer bar, fits 4 Row Narrow/Wide and 6 Row Narrow	168 lbs	\$ 531.00
2990-167	Front fold kit for JD 7200 12 Row Flex Fold planter. (For dry fertilizer only)	155 lbs	\$ 747.00
2990-176	Outer bar bracket assembly	12 lbs	\$ 103.00
2995-056	Pusher fertilizer coulters bar kit (4 Rows)	108 lbs	\$ 479.00
2995-128	Front bar mounting kit, 7200 FF 24 R	547 lbs	\$2,019.00
2995-170	Fertilizer Bar Kit for 1770 NT planters (16 rows)	649 lbs	\$2,653.00
2995-174	Fertilizer Bar Kit for 1770 NT planters (24 rows)	700 lbs	\$4,033.00
2995-176	Fertilizer Bar Kit for 1250 CNH planter (24 rows)	720 lbs	\$3,739.00
2995-195	Kinze bar kit - 3660 (4 Rows)	104 lbs	\$ 479.00
6005-104	Front bar reinforcing bracket assembly with 7" x 7" U-bolt for us on JD 7000	18 lbs	\$ 64.00

Consult your Yetter Buyer's Guide for more specific details at www.yetterco.com

Other Clamp Kits Available

Toolbar size- Horiz x Vert		
2975-151	Clamp Kit, 3" x 6" bar	\$ 47.00
2990-153	Clamp Kit, 2" sq bar	\$ 51.00
2990-154	Clamp Kit, 2 1/2" sq bar	\$ 55.00
2990-155	Clamp Kit, 2" x 6" bar	\$ 58.00
2990-156	Clamp Kit, 4" x 4" sq bar	\$ 54.00
2990-157	Clamp Kit, 5" x 7" bar	\$ 54.00
2990-158	Clamp Kit, 7" x 7" bar	\$ 54.00
2990-159	Clamp Kit, 3" diamond bar	\$ 65.00
2990-163	Clamp Kit, 3" sq bar	\$ 55.00
2990-171	Clamp Kit, 3" x 4" bar	\$ 53.00
2990-172	Clamp Kit, 4" x 6" bar	\$ 51.00
2990-173	Clamp Kit, 6" x 4" bar	\$ 54.00
2990-175	Clamp Kit, 7" x 4" bar	\$ 56.00
2990-182	Clamp Kit, 4" x 7" bar	\$ 55.00
2990-183	Clamp Kit, 6" x 6" bar	\$ 64.00
6300-105	Clamp Kit, 5" x 5" bar	\$ 58.00

Other Shank Sizes Available

2990-208	Shank, 12 5/8" long, 3" offset	\$ 49.00
2990-221	Shank, 27" long, 3" offset	\$ 54.00
2990-310	Shank, 12 5/8" long	\$ 25.00
2990-318	Shank, 16"	\$ 24.00
2990-342	Shank, 18" long, 3/4" offset	\$ 45.00
2990-350	Shank, 27 1/8"	\$ 45.00
2990-353	Shank, 22" long, 3/4" offset	\$ 38.00
2990-370	Shank, 30" long	\$ 48.00
3010-303	Shank, 22" long	\$ 41.00
3010-307	Set screw dimple 22" shank	\$ 46.00
3011-302	Shank, 22" long, 5 1/2" offset	\$ 52.00
6300-331	Shank, 19" long, 3/4" offset	\$ 31.00

Other Blades:

2571-168	20" Ripple Blade	\$ 51.00
2571-178	20" Smooth Blade	\$ 63.00
2571-196	22" Smooth Blade	\$ 78.00
2571-199	20" Smooth Blade	\$ 66.00
2571-278	20" Multi-Wave Blade (25 Wave)	\$ 70.00

2984 Series Maverick™ HR Plus Opener



STANDARD FEATURES FOR ALL MODELS

- Cast iron toolbar mounting bracket
- Heavy duty cast iron parallel linkages
- 2 heavy duty down pressure springs with quick adjust tension
- Fits 4 x 6, 6 x 6, 5 x 7 or 7 x 7 toolbars



HP requirements: 25 to 30 per shank @ 6" to 8" depth

Order manual: 2565-762

Model	Description	Est Wt	List Price
Main Body:			
2984-123-N-RT	Same as -123-N only with the Rock Trip option	338 lbs	\$1,460.00
Knife Option:			
2920-204	Standard NH3 knife	4 lbs	\$ 49.00
Residue Manager Option:			
2984-029-ND-L	Left Hand Residue Manager with notch disc	43 lbs	\$ 351.00
2984-029-ND-R	Right Hand Residue Manager with notch disc	43 lbs	\$ 351.00
2984-028-ST	Residue Manager with *Shark Tooth® wheels	43 lbs	\$ 360.00
Sealer Option:			
2984-030-S	Closing disc 16" smooth blades	122 lbs	\$ 535.00
2984-030-N	Closing disc 16" notch blades	122 lbs	\$ 535.00
U-bolt Options:			
2984-044	4" x 4" U-bolt assembly	2 lbs	\$ 22.00
2984-046	4" x 6" Adapter kit	21 lbs	\$ 100.00
2984-066	6" X 6" Adapter kit	21 lbs	\$ 100.00
2984-057	5" x 7" U-bolt assembly	2 lbs	\$ 22.00
2984-077	7" x 7" U-bolt assembly	8 lbs	\$ 22.00
Optional Equipment:			
2984-031	Rolling basket [^]	97 lbs	\$ 546.00
2984-134	VTA Adapter	10 lbs	\$ 29.00

[^]When using Rolling Basket and VTA adapter – VTA needs to be ordered with 16" blades.

2984 Series Rolling Basket



STANDARD FEATURES FOR ALL MODELS

- 14" diameter
- Unique U shaped crossbar design
- Spring loaded to float
- Adjustable down force
- 11" wide welded steel basket
- Rotates on 2 sealed bearings
- Can be locked up
- Pivot point is greasable

Shown on Maverick™

• Order manual: 2565-738

Model No.	Description	Est. Wt	List Price
2984-026	Rolling Basket to fit DMI Shank	120 lbs	\$ 536.00
2984-027	Rolling Basket to fit Maverick™ Opener	120 lbs	\$ 541.00

2910 Series Frame Mount Coulters

STANDARD FEATURES FOR ALL MODELS

- Sealed tapered roller bearings (pre-lubricated)
- Spring cushioned to reduce damage from obstructions
- Greasable hub
- Coulters mount to bottom side of toolbar and can be assembled left or right



Must order from Sections A, B & C to complete coulters

• Order manual: 2565-744

Section A

Model No.	Description	Est. Wt.	List Price
2910-042*	Frame Mounted Coulters Assy, short	59 lbs	\$ 410.00
2910-043*	Frame Mounted Coulters Assy, long	65 lbs	\$ 410.00

Mounting distance forward of toolbar: 11" short & 17.75" long

Section C

Model No.	Description	Est. Wt.	List Price
2910-141	7" x 7" Mount Kit	2.8 lbs	\$ 38.00

*Order Blades from page 28 - **Section B**. Blade size 14 5/8" to 16".

2986 Series 25" Avenger® Coulters

STANDARD FEATURES FOR ALL MODELS



- Operates at 5° angle off center
- Spring cushioned
- Coulters can be assembled right or left hand
- Tapered bearings
- Cast coulters arm
- 25" coulters blade
- Fits 6" and 7" Vertical toolbars

• Order manual: 2565-419

Section A		Est. Wt.	List Price
Model	Description		
2986-122	Avenger® with 4" x 4" mount assembly	120 lbs	\$ 915.00
2986-125	Avenger® with standard mount assembly	209 lbs	\$1,000.00

Section B		Est. Wt.	List Price
Order spring loaded or standard kit (includes 3" drop tube)			
2986-120-L	Left hand spring loaded floating scraper	45 lbs	\$ 245.00
2986-120-R	Right hand spring loaded floating scraper	45 lbs	\$ 245.00

Optional Equipment:

2986-108	Skid shoe kit	51 lbs	\$ 225.00
----------	---------------	--------	-----------

*For sealing options see page 4.

2987 Series NH3 Magnum™ Fertilizer Coulter



STANDARD FEATURES FOR ALL MODELS

- 22" blade set at 5° angle
- Fits various toolbar sizes
- Spring loaded side knife with carbide tip for extended wear
- Places liquid, dry or anhydrous at 4-6"
- High application speeds with minimal soil disturbance
- Heavy duty hub and tapered bearings
- Cast coulter arm

Order manual: 2565-758

Model No.	Description	Est. Wt.	List Price
2987-150-L	LH NH3 Magnum™ w/ Wheel and Knife	284 lbs	\$ 1,790.00
2987-150-R	RH NH3 Magnum™ w/ Wheel and Knife	284 lbs	\$ 1,790.00

Model No.	Description	Est. Wt.	List Price
2987-040-L	LH NH3 (3/8") Tube Kit	.395 lbs	\$ 23.00
2987-040-R	RH NH3 (3/8") Tube Kit	.395 lbs	\$ 23.00
2987-041-L	LH NH3 w/ Liquid (3/8" Dual) Tube Kit	.697 lbs	\$ 33.00
2987-041-R	RH NH3 w/ Liquid (3/8" Dual) Tube Kit	.697 lbs	\$ 33.00
2987-042-L	LH NH3 w/ Vapor (3/8" & 3/4") Tube Kit	.954 lbs	\$ 38.00
2987-042-R	RH NH3 w/ Vapor (3/8" & 3/4") Tube Kit	.954 lbs	\$ 38.00
2987-043-L	LH NH3 w/ Liquid & Vapor (3/8" Dual & 3/4" Single) Tube Kit	1.044 lbs	\$ 49.00
2987-043-R	RH NH3 w/ Liquid & Vapor (3/8" Dual & 3/4" Single) Tube Kit	1.044 lbs	\$ 49.00
2987-044-L	LH Vapor Only (3/4")Tube Kit	.455 lbs	\$ 28.00
2987-044-R	RH Vapor Only (3/4") Tube Kit	.455 lbs	\$ 28.00
2987-046	Liquid (1/2" Single) Tube Kit	.425 lbs	\$ 27.00
2987-047	Liquid (1/2" Dual) Tube Kit	.850 lbs	\$38.00
2987-050	Dry (1-1/2") Tube Kit	1.159 lbs	\$ 38.00
2987-051	Dry w/ NH3 (1-1/2" & 3/8") Tube Kit	1.404 lbs	\$ 48.00
2987-052	Dry w/ NH3 & Vapor (1-1/2" & 3/8" & 3/4") Tube Kit	1.987 lbs	\$ 80.00

Model No.	Description	Est Wt.	List Price
2987-135	6" x 6" & 6" x 4" clamp kit	15 lbs	\$ 64.00
2987-136	4" x 6" & 4" x 4" clamp kit	15 lbs	\$ 64.00
2987-140	7" x 7" clamp kit	15 lbs	\$ 64.00
2987-141	5" x 7" clamp kit	15 lbs	\$ 64.00

Closing wheels:

2987-027-L-ST	LH Sealer Kit with shark tooth® wheels	42 lbs	\$ 292.00
2987-027-R-ST	RH Sealer Kit with shark tooth® wheels	42 lbs	\$ 292.00



2995 / 2996 Series Parallel Linkage Fertilizer Coulters



STANDARD FEATURES FOR ALL MODELS

- Sealed, greasable tapered roller bearings (pre-lubricated)
- Parallel linkage for consistent fertilizer depth
- Swivel casting capable of being locked
- Adjustable depth control
- Heavy duty spindle
- Left and right hand models



Order parts from A, B, C, and D to complete coulters assembly

Order manual: 2565-369

Section A:

Model No.	Description	Est Wt.	List Price
2995-065-L	LH 2995 Fertilizer Coulter assy, 17" REAR LIQUID KNIFE	65 lbs	\$ 340.00
2995-065-R	RH 2995 Fertilizer Coulter assy, 17" REAR LIQUID KNIFE	65 lbs	\$ 340.00
2995-065-LIHD	LH 2995 Fertilizer coulters assy, 17" LIQUID INJECTION	70 lbs	\$ 351.00
2995-065-RIHD	RH 2995 Fertilizer coulters assy, 17" LIQUID INJECTION	70 lbs	\$ 351.00
2995-065-LS	LH 2995 Fertilizer coulters assy, 17" LIQUID SIDE KNIFE	70 lbs	\$ 371.00
2995-065-RS	RH 2995 Fertilizer coulters assy, 17" LIQUID SIDE KNIFE	70 lbs	\$ 371.00
2995-075-L	LH 2995 Fertilizer coulters assy, 17" DRY REAR KNIFE	65 lbs	\$ 370.00
2995-075-R	RH 2995 Fertilizer coulters assy, 17" DRY REAR KNIFE	65 lbs	\$ 370.00
2995-075-LIHD	LH 2995 Fertilizer coulters assy, 17" DRY INJECTION	70 lbs	\$ 392.00
2995-075-RIHD	RH 2995 Fertilizer coulters assy, 17" DRY INJECTION	70 lbs	\$ 392.00
2995-075-LS	LH 2995 Fertilizer coulters assy, 17" DRY SIDE KNIFE	70 lbs	\$ 415.00
2995-075-RS	RH 2995 Fertilizer coulters assy, 17" DRY SIDE KNIFE	70 lbs	\$ 415.00

2996-057-L	LH 2996 Fertilizer coulters assy, 20" LIQUID REAR KNIFE	80 lbs	\$ 425.00
2996-057-R	RH 2996 Fertilizer coulters assy, 20" LIQUID REAR KNIFE	80 lbs	\$ 425.00
2996-057-LIHD	LH 2996 Fertilizer coulters assy, 20" LIQUID INJECTION	85 lbs	\$ 446.00
2996-057-RIHD	RH 2996 Fertilizer coulters assy, 20" LIQUID INJECTION	85 lbs	\$ 446.00
2996-058-L	LH 2996 Fertilizer coulters assy, 20" DRY REAR KNIFE	85 lbs	\$ 457.00
2996-058-R	RH 2996 Fertilizer coulters assy, 20" DRY REAR KNIFE	85 lbs	\$ 457.00

Section B:

Section C:

Section D:

Toolbar size- Horiz x Vert

2975-151	Clamp Kit, 3" x 6" bar	\$ 48.00
2990-153	Clamp Kit, 2" sq bar	\$ 51.00
2990-154	Clamp Kit, 2 1/2" sq bar	\$ 55.00
2990-155	Clamp Kit, 2" x 6" bar	\$ 58.00
2990-156	Clamp Kit, 4" x 4" sq bar	\$ 54.00
2990-157	Clamp Kit, 5" x 7" bar	\$ 54.00
2990-158	Clamp Kit, 7" x 7" bar	\$ 54.00
2990-159	Clamp Kit, 3" diamond bar	\$ 65.00
2990-163	Clamp Kit, 3" sq bar	\$ 55.00
2990-171	Clamp Kit, 3" x 4" bar	\$ 53.00
2990-172	Clamp Kit, 4" x 6" bar	\$ 51.00
2990-173	Clamp Kit, 6" x 4" bar	\$ 54.00
2990-175	Clamp Kit, 7" x 4" bar	\$ 56.00
2990-182	Clamp Kit, 4" x 7" bar	\$ 55.00
6300-105	Clamp Kit, 5" x 5" bar	\$ 58.00

2990-208	Shank, 12 5/8" long, 3" offset	\$ 49.00
2990-221	Shank, 27" long, 3" offset	\$ 54.00
2990-310	Shank, 12 5/8" long	\$ 25.00
2990-318	Shank, 16"	\$ 24.00
2990-342	Shank, 18" long, 3/4" offset	\$ 45.00
2990-350	Shank, 27 1/8"	\$ 45.00
2990-353	Shank, 22" long, 3/4" offset	\$ 38.00
2990-370	Shank, 30" long	\$ 48.00
3010-303	Shank, 22" long	\$ 41.00
3010-307	Set screw dimple 22" shank	\$ 46.00
3011-302	Shank, 22" long, 5 1/2" offset	\$ 52.00
6300-331	Shank, 19" long, 3/4" offset	\$ 31.00

2571-158	17" Ripple Blade	\$ 56.00
2571-179	17" 25 Wave Blade	\$ 51.00
2571-076	20" Ripple Blade	\$ 52.00
2571-165	17" Smooth Notch Blade	\$ 50.00
2571-278	20" 25 Wave Blade	\$ 70.00

* More clamps, shanks and blades available. Contact Yetter sales department @ 800-447-5777 for further information.

Generation III Coulters



- STANDARD FEATURES FOR ALL MODELS**
- Sealed, greasable tapered roller bearings (pre-lubricated)
 - Fits most toolbars
 - Poly spring insert
 - Adjustable depth control
 - Heavy duty spindle
 - Blade size 18" to 22"
 - Designed for High Speed Operation



Also available in Left Hand models.

• Order manual: 2565-490

Section A

Model No.	Description	Est. Wt.	List Price
2995-140*	Single arm coulters assembly less clamp, shank and blade	43 lbs	\$ 245.00
2995-016*	Generation III single arm coulters with NH3 knife arm kit		\$ 320.00
2995-017*	Generation III single arm coulters 17" – liquid knife	57 lbs	\$ 325.00
2995-018*	Generation III single arm coulters 17"/20" – with injection nozzle	55 lbs	\$ 335.00
2995-020*	Generation III single arm coulters 20" – liquid knife	60 lbs	\$ 345.00
2995-019	Generation III single arm coulters 17" – dry knife	58 lbs	\$ 350.00

* Order blades, clamps and shanks from Section B, C and D on page 26.

Optional & Replacement Equipment for 2995 / 2996 and Gen III Coulters

Part Number	Description	Est. Wt.	List Price
2970-133	Knife scraper (fits all CAD tip knives)	1 lb	\$ 16.00
2975-120	Non-stick impact resistant polymer Gauge Wheels approx. 3" or 4" fertilizer depth placement settings	5 lbs	\$ 75.00
2975-220	17" Rear Liquid replacement fertilizer knife	3 lbs	\$ 44.00
2975-232	17" Rear Dry replacement fertilizer knife	5 lbs	\$ 55.00
2976-133	Knife scraper for 20" coulters blade	1 lb	\$ 21.00
2995-109	Spring Cushioned heavy-duty liquid injection kit, 17"/20"	6 lbs	\$ 64.00
2995-130	Spring Cushioned heavy-duty dry injection kit	6 lbs	\$ 90.00
2995-120	LH Liquid replacement side knife, 17"	6 lbs	\$ 74.00
2995-121	RH Liquid replacement side knife, 17"	6 lbs	\$ 74.00
2995-200	LH Dry replacement side knife, 17"	7 lbs	\$ 90.00
2995-201	RH Dry replacement side knife 17"	7 lbs	\$ 90.00
2996-200	20" Rear Liquid replacement fertilizer knife	4 lbs	\$ 54.00
2996-201	20" Rear Dry replacement fertilizer knife	6 lbs	\$ 85.00
2996-210	20" Rear Liquid knife w/chrome insert and 1/2" tube	5 lbs	\$ 60.00

6200 Series N Keeper



STANDARD FEATURES FOR ALL MODELS

- Spring loaded arm follows ground contour
- Quickly adjust down pressure
- Adjustable angle of the sealing wheels closes slot
- Mounts to Yetter and other fertilizer coulters offered in the market
- Adjustable depth stop
- 11" cast wheel standard
- Greasable bushing at pivot point



Model Number	Description	Est Wt	List Price
6200-060-L	LH Coulters closer fits 2995/2996 & Gen III	42 lbs	\$ 258.00
6200-060-R	RH Coulters closer fits 2995/2996 & Gen III	42 lbs	\$ 258.00

See Yetter Sales Department for other closing wheel options.

2995 Xtreme™ (XFC) Fertilizer Coulters



STANDARD FEATURES FOR ALL MODELS

- 20" blade available in smooth, ripple or notched
- Down pressure set at 2000 lbs
- Coulters allow 6" of vertical travel
- Available with injection or rear knife
- Mounting kits available for: 4" sq., 4" x 6" 6" x 4", 6" sq., 5" x 7" and 7" sq
- Available in right and left hand models



Order parts from A, B, C, and D to complete coulters assembly

Section A:

XFC Fertilizer Coulters

Order manual: 2565-

Model No.	Description	Est Wt.	List Price
2995-086-L	LH XFC Xtreme™ Fertilizer Coulters assy	lbs	\$ 350.00
2995-086	RH XFC Xtreme™ Fertilizer Coulters assy	lbs	\$ 350.00

Section B: Shank

2995-243	20" Coulters Shank	14 lbs	\$ 45.00
----------	--------------------	--------	----------

Section C: Blades

2571-168	.157 x 20" Multi-hole fluted	lbs	\$ 49.00
2571-199	.157 x 20" Multi-hole flat blade	lbs	\$ 50.00

Section D: Injector/Knife Kit (Not applicable with 2995-087)

2995-083	Injector Kit	lbs	\$ 75.00
2995-084	Fertilizer Knife w/ 3/8" tube	lbs	\$ 50.00

Section E: Mount Kit (toolbar width x height)

2995-080	Rigid Mount Bracket 4x4 & 4x6 (requires 1 u-bolt kit)	4 lbs	\$ 61.00
2995-081	Offset Mount Bracket 4x4, 4x6, 5x5, 5x7, 7x5, 7x4 & 7x7 (requires 2 u-bolt kits)	16 lbs	\$ 100.00
2995-082	Rigid C-shank Mount 4x4, 4x6, 5x5, 5x7, 7x5, 7x4, 7x7 (requires 2 u-bolt kits)	22 lbs	\$ 100.00
2995-088	Rigid Mount Bracket 6x4, 6x6, 7x4, 7x5, 7x7 (requires 1 u-bolt kit)	30 lbs	\$ 61.00

Section F: U-bolt Kits

6000-030	4"x 4" toolbar 3/4"u-bolt kit	2 lbs	\$ 20.00
6000-031	4"x 6" toolbar 3/4"u-bolt kit	2 lbs	\$ 20.00
6000-032	5"x 5" toolbar 3/4"u-bolt kit	2 lbs	\$ 20.00
6000-033	5"x 7" toolbar 3/4"u-bolt kit	2 lbs	\$ 20.00
6000-034	6"x 4" toolbar 3/4"u-bolt kit	2 lbs	\$ 20.00
6000-035	6"x 6" toolbar 3/4"u-bolt kit	2 lbs	\$ 20.00
6000-036	7"x 5" toolbar 3/4"u-bolt kit	2 lbs	\$ 20.00
6000-037	7"x 7" toolbar 3/4"u-bolt kit	2 lbs	\$ 20.00

2995 Xtreme™ (XCC) Cutting Coulters



STANDARD FEATURES FOR ALL MODELS

- Has 1 3/4" diameter mount shank
- Down pressure set at 2000 lbs
- allows 6" of vertical travel
- Mounting kits available for: 4" sq., 4" x 6" 6" x 4", 6" sq., 5" x 7" and 7" sq
- Available Right Hand only



Order from Section A Below
And then B, D, E and F above

Section A:

XCC Fertilizer Coulters

Order manual: 2565-

Model No.	Description	Est Wt.	List Price
2995-087	XCC Xtreme™ Cutting Coulters 14 5/8" to 20" Blade	lbs	\$ 285.00

Section C: Blades

2571-168	.157 x 20" Multi-hole fluted	13 lbs	\$ 49.00
2571-199	.157 x 20" Multi-hole flat blade smooth	14 lbs	\$ 50.00

Section A:

XCC Fertilizer Coulters

Model No.	Description	Est Wt.	List Price
2995-089	XCC Xtreme™ Cutting Coulters 24" Blade	lbs	\$ 300.00

Section C: Blades

2571-282	.25 x 24.8" Flat blade smooth	32 lbs	\$ 70.00
----------	-------------------------------	--------	----------

2999 Series Frame Mounted Spring Cushioned Coulters



STANDARD FEATURES FOR ALL MODELS

- Sealed tapered roller bearings (pre-lubricated)
- Swivel / Non-swivel
- Fits most toolbars
- 900 lbs downpressure (maximum)
- Spring cushioned to reduce damage
- Adjustable depth control
- Blade size 18" and under

• Order manual: 2565-579

Order Model Number from Section A & B to Complete Coulters Assembly

Section A Order one basic coulters assembly per coulters required

Model No.	Description	Mounting Bracket Description	Est. Wt.	List Price
2999-108	Basic Coulters Assembly (less blade)	7" x 7" sq. bar	67 lbs	\$ 345.00
2999-142	Basic Coulters Assembly (less blade)	5" x 7" tubing (5" horizontal)	67 lbs	\$ 345.00
2999-107	Basic Coulters Assembly (less blade)	4" x 4" sq. bar	61 lbs	\$ 345.00
2999-106	Basic Coulters Assembly (less blade)	2.5" x 2.5" sq. bar	61 lbs	\$ 345.00
2999-132	Basic Coulters Assembly (less blade)	2" x 6" (2" horizontal)	65 lbs	\$ 345.00
2999-103	Basic Coulters Assembly (less blade)	3" diamond	69 lbs	\$ 345.00
2999-109	Basic Coulters Assembly (less blade)	3" x 7" (3" horizontal)	65 lbs	\$ 345.00
2999-111	Basic Coulters Assembly (less blade)	3" x 3" sq. bar	64 lbs	\$ 345.00
2999-143	Basic Coulters Assembly (less blade)	2.5" sq bar (5" offset)	63 lbs	\$ 345.00
2999-135	Basic Coulters Assembly (less blade)	2.5" sq bar (3" offset)	59 lbs	\$345.00

Section B Order one coulters blade per coulters assembly

Model No.	Description	Est. Wt.	List Price
2571-166	14-5/8" 25 Multi-wave Blade (25 wave)	7 lbs	\$ 60.00
2571-161	16" Ripple Blade	8 lbs	\$ 45.00
2571-156	16" Wavy Blade (8 Wave)	8 lbs	\$ 48.00
2571-162	16" Shallow-wave Blade (13 Wave)	7 lbs	\$ 48.00
2571-172	16" Multi-wave Blade (25 Wave)	8 lbs	\$ 45.00
2571-167	17" Ripple Blade	8 lbs	\$ 44.00
2571-154	18" Wavy Blade (8 Wave)	10 lbs	\$ 45.00
2571-155	18" Shallow-Wave Blade (13 Wave)	9 lbs	\$ 45.00
2571-179	18" Multi-Wave Blade (25 Wave)	9 lbs	\$ 51.00

2984 Series Strip Freshener™

STANDARD FEATURES FOR ALL MODELS



- Operating speeds at 6-10 mph and 2"-4" deep
- Blade arrangement and rolling basket conditions existing strips to warm and condition planting zone
- Features parallel linkage to follow field contour and easy adjustments
- Has universal mounting bracket to fit 4"x4", 4"x6", 6"x6", 5"x7" and 7"x7" toolbars
 - Optional front bracket enables mounting existing planter attachments for more options
 - Optional fertilizer attachments available



Model No.	Description	Est. Wt.	List Price
2984-150-ST	Strip Freshener, SharkTooth® center blade w/ -ST® closer wheels	360 lbs	\$1,550.00
2984-150-SW	Strip Freshener, 16" 13 SW center blade w/ -ST® closer wheels	360 lbs	\$1,550.00
2984-150-R	Strip Freshener, 16" center Ripple blade w/ -ST® closer wheels	360 lbs	\$1,550.00

-ST denotes SharkTooth® wheels

3000 Series Viper® II Fertilizer Coulters

STANDARD FEATURES FOR ALL MODELS

- Coulter Downpressure range with Min. pre-load, @2" of travel = 285#
4" of travel = 460#
5.75" of travel = 580#
- Gauge Wheel depth adjustments:
16" Blade = 1/2", 2-1/2", & 3-1/2"
 - Gauge wheel 2.4 x 16", 40 mm bearing
 - Shank – 1 1/2" sq x 21.5", 5160 Spring steel
 - Arm pivots on heavy duty bearings, providing greater stability & longer operating life.
- **Optional:**
 - Self adjusting spring loaded side knife has a carbide tip for extended wear



• Order manual: 2565-690

Smooth blade

Notch blade

Shipping Weight: 137 lbs

Order from Section A or B, C and D to complete

Section A		LIQUID	LIST PRICE
3000-030-L	LH 16" Viper II Liquid Coulter Assy – Smooth blade		\$ 765.00
3000-030-R	RH 16" Viper II Liquid Coulter Assy – Smooth blade		\$ 765.00
3000-030-L-N	LH 16" Viper II Liquid Coulter Assy – Notch blade		\$ 765.00
3000-030-R-N	RH 16" Viper II Liquid Coulter Assy – Notch blade		\$ 765.00

Section B		DRY	
3000-032-L	16" LH Viper II Dry Coulter Assy – Smooth blade		\$ 795.00
3000-032-R	16" RH Viper II Dry Coulter Assy – Smooth blade		\$ 795.00
3000-032-L-N	16" LH Viper II Dry Coulter Assy – Notch blade		\$ 795.00
3000-032-R-N	16" RH Viper II Dry Coulter Assy – Notch blade		\$ 795.00

Section C			
3000-315	21 1/2" Shank		\$ 44.00
3000-399	16" Shank		\$ 39.00
3000-264	RH 6" Offset Shank		\$ 74.00
3000-265	LH 6" Offset Shank		\$ 74.00

Section D			
3000-135	2 1/2" sq clamp kit		\$ 79.00
3000-136	3" sq clamp kit		\$ 79.00
3000-137	7" sq clamp kit		\$ 79.00
3000-138	4" sq clamp kit		\$ 79.00
3000-139	3" x 6" clamp kit		\$ 79.00
3000-140	2" x 6" clamp kit		\$ 79.00
3000-141	3" x 7" clamp kit		\$ 79.00
3000-142	5" x 7" clamp kit		\$ 79.00
3000-143	3" x 3" diamond clamp kit		\$ 79.00

3600 Series Folding Fertilizer Tool Bars

STANDARD FEATURES FOR ALL MODELS



- Field transport hydraulic activated locks
- Wing deflection
- S.M.V. emblem
- 2 parking stands
- Fits 4710, 4720, 4730, 4830 Models with 90' boom
- Hydraulic cylinders 3000 psi and hoses
- 7' x 7" x 1/4" toolbar
- Light kit (not factory installed)

• Order manual: 2565-691

Order from section A, B and C

Section A				
Model No.	Width	Transport Width	Est Wt	List Price
3600-026	26'	15'		\$ 8,090.00

Section B				
3600-029	Offset standard			\$ 325.00
3600-030	Straight standard			\$ 295.00

Section C

*Will need to order fertilizer coulter assembly, blade and fertilizer option
See page 26 and 27.*

Ordering codes for the different spacing on the toolbar.

11 Row 30"	Qty		8 Row 40"	
3600-026	1		3600-026	1
3600-029	2		3600-029	4
3600-030	9		3600-030	4
12 Row 30"			15 Row 20"	
3600-026	1		3600-026	1
3600-029	4		3600-029	6
3600-030	8		3600-030	9
9 Row 40"				
3600-026	1			
3600-029	4			
3600-030	5			

3400 Series Toolbar Rotary Hoes

STANDARD FEATURES FOR ALL MODELS

- 180° flat folding toolbar (3500)
- 3-pt. Hitch to accommodate Cat II and III hitches and most quick hitches (12'-46')
- 21" hoe wheels equipped with ball bearings
- S.M.V. Emblem
- 2 parking stands
- Operator shield
- Hydraulic cylinders and hoses (3500)
- 16 riveted teeth per wheel
- Forged, self sharpening teeth
- Reflector tape
- Light kit (not factory installed)
- 3000 psi cylinders
- Cat III & IV hitch on (54' & 60')

Toolbar Dimensions

3412 – 4" x 4" x ¼" x 149"
 3415 – 4" x 4" x ¼" x 184"
 3421 – 5" x 7" x ¼" x 255"

3428 – 5" x 7" x ¼" x 338"
 3430 – 5" x 7" x ¼" x 366"
 3434 – 5" x 7" x ¼" x 408"

• Order manual: 2565-118

**Must order Hoe Boxes from Section A and the
 Toolbar from Section B:**

Section A: Rigid hoe parts box

3412-101	12' Rotary hoe assembly parts boxes	70 lbs	\$ 495.00
3415-101	15' Rotary hoe assembly parts boxes	70 lbs	\$ 495.00
3421-101	21' Rotary hoe assembly parts boxes	70 lbs	\$ 495.00
3428-101	28' Rotary hoe assembly parts boxes	70 lbs	\$ 495.00
3430-101	30' Rotary hoe assembly parts boxes	70 lbs	\$ 495.00
3434-101	34' Rotary hoe assembly parts boxes	70 lbs	\$ 495.00

Section A: Rigid hoe min-till parts box

3412-101-MT	12' Rotary hoe assembly parts boxes	70 lbs	\$ 1,570.00
3415-101-MT	15' Rotary hoe assembly parts boxes	70 lbs	\$ 1,835.00
3421-101-MT	21' Rotary hoe assembly parts boxes	70 lbs	\$ 2,185.00
3428-101-MT	28' Rotary hoe assembly parts boxes	70 lbs	\$ 2,750.00
3430-101-MT	30' Rotary hoe assembly parts boxes	70 lbs	\$ 3,070.00
3434-101-MT	34' Rotary hoe assembly parts boxes	70 lbs	\$ 3,310.00

Section B: Rigid hoe toolbar

Model No.	Width	Transport	Rows	Number of wheels	Est Wt	List Price
3412-100	12'	12'	4 – 30", 4 – 36"	42	1184 lbs	\$ 4,625.00
3415-100	15'	15'	4 – 40", 6 – 30"	52	1424 lbs	\$ 5,425.00
3421-100	21'	21'	6 – 40", 8 – 30"	72	1974 lbs	\$ 7,460.00
3428-100	28'	28'	8 – 40"	96	2594 lbs	\$ 9,360.00
3430-100	30'	30'	12 – 30"	104	2954 lbs	\$10,175.00
3434-100	34'	34'	10 – 40"	116	3700 lbs	\$ 11,465.00

Optional Equipment

Model No.	Description	Est Wt	List Price
3400-172	Helper springs for added down pressure. One spring fits one wheel.	2 lbs	\$ 23.00
3400-147	Trash guard to clean hoe wheels. One guard fits one wheel.	2 lbs	\$ 22.00
3400-170	Min-till Conversion Kit requires one per each rear arm.	9 lbs	\$ 74.00

Gauge wheels will not fit models 3412 and 3415. Options not factory installed.

Replacement Hoe Wheels

Model No.	Description	Est Wt	List Price
3400-111	Rotary Hoe Wheel (black)	14 lbs	\$ 45.00
3400-111-G	Rotary Hoe Wheel (green)	14 lbs	\$ 47.00

3500 Series Folding Toolbar Rotary Hoes



Toolbar Dimensions

3525 – 7” x 7” x 1/4” x 300”	3546 – 7” x 7” x 3/8” x 303” center
3528 – 7” x 7” x 1/4” x 336”	7” x 7” x 1/4” x 123” wings
3530 – 7” x 7” x 1/4” x 364”	3554 – 7” x 7” x 1/2” x 334” center
3534 – 7” x 7” x 1/4” x 406”	7” x 7” x 3/8” x 156” wings
3541 – 7” x 7” x 3/8” x 245” center	3560 – 7” x 7” x 1/2” x 386” center
7” x 7” x 1/4” x 123” wings	7” x 7” x 3/8” x 170” wings

Must order Hoe Boxes from Section A and the Toolbar from Section B:

Model No.	Width	Est Wt	List Price
Section A: Folding Rotary Hoe Parts Kit			
3525-101	25’ Rotary hoe assembly parts boxes	70 lbs	\$ 1,820.00
3528-101	28’ Rotary hoe assembly parts boxes	70 lbs	\$ 1,820.00
3530-101	30’ Rotary hoe assembly parts boxes	70 lbs	\$ 1,820.00
3534-101	34’ Rotary hoe assembly parts boxes	70 lbs	\$ 1,820.00
3541-101	41’ Rotary hoe assembly parts boxes	90 lbs	\$ 2,005.00
3546-101	46’ Rotary hoe assembly parts boxes	90 lbs	\$ 2,005.00
3554-101	54’ Rotary hoe assembly parts boxes	2,598 lbs	\$12,675.00
3560-101	60’ Rotary hoe assembly parts boxes	2,986 lbs	\$14,765.00

Section A: Min-Till Folding Rotary Hoe Parts Kit

Model No.	Width	Est Wt	List Price
Section A: Min-Till Folding Rotary Hoe Parts Kit			
3525-101-MT	25’ Min-Till Rotary hoe assembly parts boxes	70 lbs	\$ 3,940.00
3528-101-MT	28’ Min-Till Rotary hoe assembly parts boxes	70 lbs	\$ 4,030.00
3530-101-MT	30’ Min-Till Rotary hoe assembly parts boxes	70 lbs	\$ 4,630.00
3534-101-MT	34’ Min-Till Rotary hoe assembly parts boxes	70 lbs	\$ 4,980.00
3541-101-MT	41’ Min-Till Rotary hoe assembly parts boxes	90 lbs	\$ 5,505.00
3546-101-MT	46’ Min-Till Rotary hoe assembly parts boxes	90 lbs	\$ 5,885.00

Section B: Folding Toolbar Rotary Hoe

3525-100	25’	14’ 10”	8 – 36”	86	3,130 lbs	\$ 11,190.00
3528-100	28’	14’ 3”	8 – 40”	96	3,271 lbs	\$ 12,150.00
3530-100	30’	15’ 5”	12 -- 30”	104	3,535 lbs	\$ 12,680.00
3534-100	34’	17’ 9”	10 – 40”	116	4,430 lbs	\$ 14,365.00
3541-100	41’	20’ 9”	12 – 40”, 16 – 30”	140	4,880 lbs	\$ 17,280.00
3546-100	46’	25’ 9”	24 – 22”	158	5,343 lbs	\$ 18,750.00
3554-100	54’	29”	16 – 40”, 18 – 36”	186	5,810 lbs	\$ 15,735.00
3560-113	60’	32’ 5”	18 – 40”, 20 – 36”, 24- 30”	208	7,014 lbs	\$ 17,570.00

*Requires assembly of long rear min-till arm to rotary hoe.

* If ordering helper springs – order 7 less than the required amount. (7 are included in complete kit)

Optional Equipment:

Model No.	Description	Est Wt	List Price
3500-001	Truss 28’ Straight hoe		\$610.00
3500-002	Truss 30’ Straight hoe		\$795.00
3500-108	Toolbar Gauge Wheels (1 pair) equipped with 15” wheels. Tire not included. Fits 5” x 7” or 7” x 7” toolbar.	187 lbs	\$750.00
3500-107	Wing lock kit. For use with the 3500 Series folding hoes.	11 lbs	\$ 175.00
3500-135	Rear Parking stand – complete. Fits 7” x 7” toolbar. For storing the implement folded.	112 lbs	\$ 320.00
3400-172	Helper springs for added down pressure. One spring fits one wheel.	2 lbs	\$ 23.00
3400-147	Trash guard to clean hoe wheels. One guard fits one wheel.	2 lbs	\$ 22.00
3400-170	Min-till Conversion Kit requires one per each rear arm.	9 lbs	\$ 74.00
3400-111	Rotary Hoe Wheel (black)	14 lbs	\$ 45.00
3400-111-G	Rotary Hoe Wheel (green)	14 lbs	\$ 47.00

3800 Series Heavy-duty Single Frame Folding Toolbar

- Center and wing sections constructed of single 7" x 7" bar with 3/8" wall tubing
- Wings fold using 4" x 24" hydraulic cylinders
- Wings lock rigid using over-the-center hydraulic lockdown or can be set to float
- 7° of wing flex
- Available with Category III, III Narrow, and IV hitches

Model No.	Width	Rows	Transport Width	Est Wt	List Price
3831-102	30' 7"	12 – 30", 8 -- 40"	Folds to 16.5'	2,057 lbs	\$ 7,035.00
3841-102	41' 5"	12 – 40", 16 – 30"	Folds to 21.5'	2,394 lbs	\$ 7,380.00

Optional Equipment listed on page 34.

5000 Series Stalk Devastator™*



• Order manual: 2565-771 for models 5000-004 thru 5000-022

STANDARD FEATURES FOR ALL MODELS

- Rollers push over stubble as they travel through the field
- Preserves residue cover
- Prevents damage to tires, tracks, wires, and hydraulic hoses on combines, trucks, tractors and implements
- Crushed, knocked-over stalks facilitate quicker residue breakdown
- Quick and easy to install with mounting kits for most corn head models
- Spring-loaded, solid steel construction
- Will not interfere with most header cart trailers
- Fits non-chopping heads only
- 30" Row spacing only

• Order manual: 2565-784 for models 5000-023 and 5000-024

• Order manual: 2565-785 for models 5000-025 thru 5000-028

Model No.	Description	Fits	Est. Wt.	List Price
5000-002	8 Row Corn Stalk Roller Kit	Deere 843/893	950 lbs	\$ 5,095.00
5000-003	8 Row Corn Stalk Roller Kit	Deere 608C (2011 & older)	950 lbs	\$ 5,095.00
5000-005	6 Row Corn Stalk Roller Kit	CNH 3206/ 3406/NH98D	700 lbs	\$ 3,825.00
5000-006	8 Row Corn Stalk Roller Kit	CNH 3208/3408/NH98D	950 lbs	\$ 5,095.00
5000-007	6 Row Corn Stalk Roller Kit	Drago 630	700 lbs	\$ 3,825.00
5000-008	12 Row Corn Stalk Roller Kit	Deere 1293	1400 lbs	\$ 7,645.00
5000-009	6 Row Corn Stalk Roller Kit	CNH 2206/NH96C/996	700 lbs	\$ 3,825.00
5000-010	8 Row Corn Stalk Roller Kit	CNH 2208/2408/NH96C/98C/996	950 lbs	\$ 5,095.00
5000-013	6 Row Corn Stalk Roller Kit	CNH 1063	700 lbs	\$ 3,825.00
5000-014	8 Row Corn Stalk Roller Kit	CNH 1083	950 lbs	\$ 5,095.00
5000-015	8 Row Corn Stalk Roller Kit	Geringhoff	950 lbs	\$ 5,095.00
5000-016	12 Row Corn Stalk Roller Kit	Geringhoff	1400 lbs	\$ 7,645.00
5000-017	8 Row Corn Stalk Roller Kit	Drago 830	950 lbs	\$ 5,095.00
5000-018	12 Row Corn Stalk Roller Kit	Drago 1230	1400 lbs	\$ 7,645.00
5000-019	12 Row Corn Stalk Roller Kit	CNH 2412/3412/NH98C/98D/996	1400 lbs	\$ 7,645.00
5000-021	6 Row Corn Stalk Roller Kit	Geringhoff	700 lbs	\$ 3,825.00
5000-022	12 Row Corn Stalk Roller Kit	Lexion C512-30	1400 lbs	\$ 7,645.00
5000-023	6 Row Corn Stalk Roller Kit	Gleaner 3000 or Hugger 630/ MF 3000 (1988 & newer)/ Challenger CH630	700 lbs	\$ 3,825.00
5000-024	8 Row Corn Stalk Roller Kit	Gleaner 3000 or Hugger 830/ MF 3000 (1988 & newer)/ Challenger CH830	950 lbs	\$ 5,095.00
5000-025	6 Row Corn Stalk Roller Kit	Deere 643/693/606C and 612C wheel tracks only	700 lbs	\$ 3,825.00
5000-026	8 Row Corn Stalk Roller Kit	Deere 608C (2012 & newer)	950 lbs	\$ 5,095.00
5000-027	12 Row Corn Stalk Roller Kit	Deere 612C	1400 lbs	\$ 7,645.00
5000-028	16 Row Corn Stalk Roller kit	Deere 616C	1900 lbs	\$10,190.00
5000-029	6 Row Corn Stalk Roller kit	CNH 4406	700 lbs	\$ 3,825.00
5000-030	8 Row Corn Stalk Roller kit	CNH 4408	950 lbs	\$ 5,095.00

*Patented

NH – New Holland

CNH - Case

6000 / 6200 Series Closing Wheels

Model No.	Description	Est. Wt.	List Price
-----------	-------------	----------	------------

Cast Spike Wheel

6200-001	Cast spike close wheel kit	22 lbs	\$ 196.00
6200-002	Scraper kit for 6200-001 and 6200-003 • Order manual: 2565-734	4 lbs	\$ 43.00
6200-003	Cast Spike close wheel kit for JD 7200/7300	22 lbs	\$ 196.00
6200-010	50 Series Plus spike close wheel, 13" wheel (JD Serial # xxxx up to 3834)	10 lbs	\$ 96.00
6200-011	60 / 90 Series Plus spike close wheel, 13" wheel	10 lbs	\$ 96.00
6200-020	LH adaptor for 50 Series, 13" wheel (JD Serial #'s • Order manual: 2565-769)	10 lbs	\$ 96.00
6200-021	RH adaptor for 50 Series, 13" wheel (3900 and up)	10 lbs	\$ 96.00
6200-143	Stud wheel kit for use with 6200-001 on JD 7000/7100, '92 older Kinze	1 lb	\$ 27.00

Closing Wheel Assembly

• Order manual: 2565-402

6000-002 ✕	Quick-adjust "V" Close Wheel for JD 7000 and 7100	25 lbs	\$ 195.00
6200-109	Quick-adjust "V" Close Wheel kit for Case vacuum and cyclo planters (will not work with plate planters)	25 lbs	\$ 255.00

✕ Not recommended for use with cast iron closing wheels.

Packer Wheel Assembly

6200-022	Packer Wheel for use with Kinze Evolution, Kinze, JD 7000	50 lbs	\$ 392.00
6200-023	Packer Wheel for use with JD 1700, 7200 and 7300 • Order manual: 2565-776	50 lbs	\$ 392.00
6200-024	Packer Wheel for use with White 8000	50 lbs	\$ 392.00

Interchanger and Holder

6200-050	Interchanger kit for Kinze with bolt on closing wheels, Yetter & White 8000	2 lbs	\$ 31.00
6200-051	Interchanger kit for JD 1700 • Order manual: 2565-776	2 lbs	\$ 31.00
6200-055	Closing wheel mount holder for 1700 less seed box	5 lbs	\$ 72.00

Serrated Closing Disc

6000-013	Serrated Closing Disc Kit, Case	20 lbs	\$ 88.00
6000-014	Serrated Closing Disc Kit, JD • Order manual: 2565-777	20 lbs	\$ 88.00

Paddle Wheel

6200-004	Paddle wheel for use JD Maxemerge Plus, XP, Pro Kinze-'93 to current, White 6000 & 8000 with v-closing wheels	20 lbs	\$ 227.00
----------	---	--------	-----------

Closing Wheel	Serrated Closing Disc	Packer Wheel	Cast Spike Wheel	Cast Spike Wheel	Paddle Wheel	Interchanger
---------------	-----------------------	--------------	------------------	------------------	--------------	--------------



6200 Series Drag Chain



STANDARD FEATURES FOR ALL MODELS

- -duty 3/8" square twisted link chain
- Squeeze together connections
- Fits most popular planters
- Formed bolt on mounting straps

• Order manual: 2565-715

Model No.	Description	Est Wt	List Price
6200-108*	Square twisted link drag chain	6 lbs	\$ 36.00

*Certain planters may require drilling a hole.

6150 Series Hydraulic Flat Fold Markers



STANDARD FEATURES FOR ALL MODELS

- 180° flat fold
- Breakaway hinge to help prevent damage from obstructions
- Adjustable sequence valve
- Heat treated blade has self-cleaning design to stay sharp longer
- Reversible hub allows pulling or pushing the marker disc through the field
- 3000 psi cylinders
- Hydraulic hoses to the center of the implement except denoted models
- Choice of blade style
- Grade 5 bolts for added strength and durability
- Smooth-headed carriage bolts eliminate residue snagging
- Bolt-on cast iron hub cap
- Two bearing seals for extra life

Order from Section A and B:

• If you need additional manuals: 2565-376

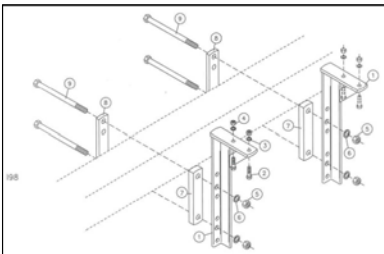
Section A:

Part Number	Description	Est. Wt.	List Price
6150-007	15' – 20' Marker shipping assembly includes: hose kit, marker blade box and 15'-20' arms	640 lbs	\$ 2,890.00
6150-008	24' Marker shipping assembly includes: hose kit, marker blade box and 24' arms	650 lbs	\$ 3,635.00
6150-009	30' Marker shipping assembly includes: hose kit, marker blade box and 30' arms	900 lbs	\$ 4,005.00
6150-010	35' Marker shipping assembly includes: hose kit, marker blade box and 35' arms	920 lbs	\$ 4,165.00

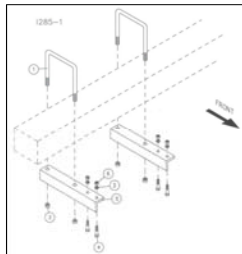
Section B:

Part Number	Description	Est. Wt.	List Price
6001-016	JD 1520 Drill / fits 5" x 7" toolbar	76 lbs	\$ 295.00
6001-018	JD 455 Drill / fits 6" x 6" toolbar	60 lbs	\$ 210.00
6001-022	Tye Series V and fits 7" x 7" toolbar / Planter mount	98 lbs	\$ 320.00
6001-026	7" x 7" Cultivator	55 lbs	\$ 190.00
6001-028	JD 750/ 1560/ 1590 Drill for 15' and 20" Drill / fits 4" x 6" toolbar	46 lbs	\$ 190.00
6001-033	7x7/ 8x8 mount kit	105 lbs	\$ 392.00
6001-042	Case IH 5500	90 lbs	\$ 545.00
6001-120	GREAT PLAINS	74 lbs	\$ 245.00
6001-195	Case IH 5200/5400 / fits 7" x 7" toolbar	82 lbs	\$ 235.00
6001-198	JD 750/ 1560 for 30' Drill / fits 4" x 6" and 4" x 4" toolbar	50 lbs	\$ 230.00
6100-108	Great Plains 2000 / fits 6" x 6" toolbar	67 lbs	\$ 260.00
6100-110	7" x 7" toolbar / Planter mount	88 lbs	\$ 340.00
6150-091	White 6000 mount kit / fits 7" x 7" toolbar	67 lbs	\$ 345.00
6150-101	DMI / fits 4" x 6" toolbar	73 lbs	\$ 300.00
6150-162	JD 1690/1890/1990 Drill	168 lbs	\$ 600.00

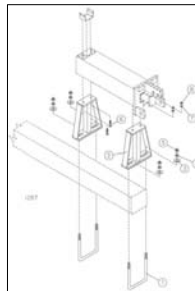
6001-022



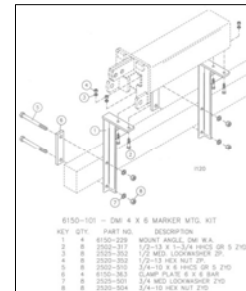
6001-026



6100-110



6150-101

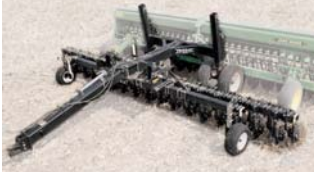


Optional Equipment

Model No.	Description	Est. Wt	List Price
6001-602	Notched Marker Disc Kit. Fits JD 7000, 7100, 7200, 7300	20 lbs	\$ 196.00
6100-334	Marker Arm Weight (2 per set of Markers)	8 lbs	\$ 27.00
6150-111	Hold down kit for standard markers	5 lbs	\$ 35.00
6150-155	Heavy Duty Notched Disc Kit	36 lbs	\$ 350.00
6150-165	Heavy Duty Marker extension bracket kit for 1690/1860/1890	22 lbs	\$ 78.00

6300 Series Coulter Cart

STANDARD FEATURES FOR ALL MODELS



- Heavy-duty cast hitch hooks
 - Coulters adjustable for opener spacing
 - 5.25" blade bolt circle for greater strength
 - Heavy-duty welded mainframe with built-in bracing
 - Transport locks
 - 3000 psi cylinders
 - Dual 5" x 5" coulter mounting toolbars
 - Built-in Weight Transfer System™ with parallel lift
 - 3-point quick hitch (ASAE Standard)
 - Four 11L x 15" 8-ply tires with tubes
 - Swivel/Non-Swivel coulter models
 - On-the-go hydraulic coulter depth adjustment
 - Requires closed center tractor
- Order manual: 2565-330

Model No.	Transport Width	Row Spacing	Number of coulters	Coulter Blade Description	Est. Wt.	List Price
6315-S11-SW	15'		11	18" Shallow-Wave (13 Wave)	3476 lbs	\$14,855.00
6315-S18-W	15'	10"	18	18" Wavy (8 Wave)	3871 lbs	\$16,370.00
6315-S18-SW	15'	10"	18	18" Shallow-Wave (13 Wave)	3871 lbs	\$16,370.00
6315-S18-MW	15'	10"	18	18" Multi-Wave (25 Wave)	3871 lbs	\$16,370.00
6315-S22-W	15'	8"	22	18" Wavy (8 Wave)	3968 lbs	\$17,205.00
6315-S22-SW	15'	8"	22	18" Shallow-Wave (13 Wave)	3960 lbs	\$17,205.00
6315-S22-MW	15'	8"	22	18" Multi-Wave (25 Wave)	3960 lbs	\$17,205.00
6315-S24-W	15'	7.5"	24	18" Wavy (8 Wave)	4166 lbs	\$17,675.00
6315-S24-SW	15'	7.5"	24	18" Shallow-Wave (13 Wave)	4166 lbs	\$17,675.00
6315-S24-MW	15'	7.5"	24	18" Multi-Wave (25 Wave)	4166 lbs	\$17,675.00
6315-S26-W	15'	7"	26	18" Wavy (8 Wave)	4187 lbs	\$18,155.00
6315-S26-SW	15'	7"	26	18" Shallow-Wave (13 Wave)	4201 lbs	\$18,155.00
6315-S26-MW	15'	7"	26	18" Multi-Wave (25 Wave)	4201 lbs	\$18,155.00
6320-S15-SW	20'		15	18" Shallow-Wave (13 Wave)	3511 lbs	\$16,130.00
6320-S24-W	20'	10"	24	18" Wavy (8 Wave)	4201 lbs	\$18,155.00
6320-S24-SW	20'	10"	24	18" Shallow-Wave (13 Wave)	4201 lbs	\$18,155.00
6320-S24-MW	20'	10"	24	18" Multi-Wave (25 Wave)	4201 lbs	\$18,155.00
6320-S30-W	20'	8"	30	18" Wavy (8 Wave)	4546 lbs	\$19,600.00
6320-S30-SW	20'	8"	30	18" Shallow-Wave (13 Wave)	4546 lbs	\$19,600.00
6320-S30-MW	20'	8"	30	18" Multi-Wave (25 Wave)	4546 lbs	\$19,600.00
6320-S32-W	20'	7.5"	32	18" Wavy (8 Wave)	4715 lbs	\$20,065.00
6320-S32-SW	20'	7.5"	32	18" Shallow-Wave (13 Wave)	4715 lbs	\$20,065.00
6320-S32-MW	20'	7.5"	32	18" Multi-Wave (25 Wave)	4715 lbs	\$20,065.00
6320-S34-W	20'	7"	34	18" Wavy (8 Wave)	4814 lbs	\$20,410.00
6320-S34-SW	20'	7"	34	18" Shallow-Wave (13 Wave)	4814 lbs	\$20,410.00
6320-S34-MW	20'	7"	34	18" Multi-Wave (25 Wave)	4814 lbs	\$20,410.00
6320-S40-W	20'	6"	40	18" Wavy (8 Wave)	5361 lbs	\$21,455.00
6320-S40-SW	20'	6"	40	18" Shallow-Wave (13 Wave)	5361 lbs	\$21,455.00
6320-S40-MW	20'	6"	40	18" Multi-Wave (25 Wave)	5361 lbs	\$21,455.00

Base Coulter Cart Only

6300-001	Coulter cart only includes transport wheels, hydraulics, and implement attaching 3-point hitch	1723 lbs	\$ 8,385.00
----------	--	----------	-------------

Optional Equipment

2999-114	Basic Coulter Assembly, less blade	60 lbs	\$ 345.00
6315-099	Double coulter bar attachment for 15' coulter cart.*	520 lbs	\$ 6,070.00
6320-099	Double coulter bar attachment for 20' coulter cart.*	580 lbs	\$ 5,095.00

*Double coulter bar attachment includes additional coulter bar and mounting brackets. (Coulters are not included)
 Call Yetter Sales Department for prices on other sizes and blade choices available.

1300-121 Series Seed Jet II



STANDARD FEATURES FOR ALL MODELS

- Universal hopper and mounting brackets
- Pressure switch
- 35' Stainless steel lined hose provided
- Lightweight cyclone decelerator
- Cyclone Exhaust kit
- Honda engine with electric start
- Cast iron rotary airlock
- Requires group 58 12-volt battery - (not included)

• Order manual: 2565-441

Model No.	Description	Est. Wt.	List Price
1300-121	Seed Jet II	550 lbs	\$ 5,915.00

1300-133 Series Seed Box Train



STANDARD FEATURES FOR ALL MODELS

- Honda engine with electric start
- Cast iron rotary airlock
- 35' Stainless steel hose provided decelerator
- Trolley slides
- Requires group 58 12-volt battery (not included)
- Seed Jet II
- Engine mount trolley
- Lightweight cyclone
- Cyclone exhaust kit

• Order manual: 2565-463

Model No.	Description	Est. Wt.	List Price
1300-133	Seed Train Trolley Assembly with engine	625 lbs	\$ 6,150.00
1300-132	Seed Train Frame Assembly (each frame holds 2 boxes)	528 lbs	\$ 1,520.00
1300-131*	Seed Train Connection Assembly	45 lbs	\$ 185.00

*Required when connecting more than one frame.

Optional Equipment

Model No.	Description	Est. Wt.	List Price
1300-155	17" Stainless Hose with Male end	3 lbs	\$ 52.00
1300-156	Seed Train Quick Coupler 35' with Female end	60 lbs	\$ 680.00
1300-175	Seed Chute Assembly	29 lbs	\$ 170.00
1300-609	Poly liner for Seed Chute	3 lbs	\$ 27.00
1300-413	Wireless Remote / Receiver for Seed Jet II	1 lb	\$ 210.00

71 Series Planter Unit



STANDARD FEATURES FOR ALL MODELS

- Wheel Tire (Chevron)
- Scraper attachment bundle
- Parallel Linkage Stop
- Baffle Plate
- Corn Meter for Large Seed Hopper
- Hopper Assembly
- *Plates not provided*



• Order manual: 2565-724

Model No.	Description	Est Wt	List Price
6010-150	Planter Unit	113 lbs	\$ 1,305.00

Section A		Order One Model No.	
Model No.	Description	Est Wt	List Price
6010-010	Hitch kit assembly	76 lbs	\$ 500.00

Section B		Order One Model No.	
Model No.	Description	Est Wt	List Price
6010-101	5' Toolbar assembly	61 lbs	\$ 180.00
6010-102	6' Toolbar assembly	73 lbs	\$ 200.00
6010-103	10' Toolbar assembly	122 lbs	\$ 285.00
6010-104	11' Toolbar assembly	135 lbs	\$ 505.00
6010-105	16' Toolbar assembly	195 lbs	\$ 520.00

Section C		Order One Per Each Row Unit	
Model No.	Description	Est Wt	List Price
2996-121	4" x 4" U-bolt kit	3 lbs	\$ 22.00

1200 Series Row Unit Adjusting Kit

STANDARD FEATURES FOR ALL MODELS



- All-steel adjuster provides a platform on which to make adjustments to each row unit and its attachments
- Makes it easy to complete once time-consuming adjustment during the off-season, saving precious in-field planting time
- Allows to complete important inspections to maximize planting performance
- Includes planter checklist and bevel box to ensure an optimally adjusted and prepared planter setup

• Order manual: 2565-746

Model No.	Description	Est Wt	List Price
1200-001*	Row Unit Adjusting Kit	lbs	\$ 360.00

* Does not fit Case planters, call Yetter specialist for further details.