

# Danish Sweeps

Our Danish sweeps are made of heat treated BORON steel. The sweeps have a steel wear bump in front of the bolt holes to help eliminate bolt head wear.

## 3/16" Thick Danish Sweeps - Single Hole

ORDER NO.	WIDTH	BOLT HOLE	DESCRIPTION	STOCK	RETAIL
WK4S	4"	3/8"	Danish Tine Sweep.	9512	\$2.12

\*\* All 3/16" thick danish sweeps will be discontinued when current inventory is depleted.

## 1/4" Thick Danish Sweeps - Single Hole



ORDER NO.	WIDTH	BOLT HOLE	DESCRIPTION	STOCK	RETAIL
WK1	1"	3/8"	Danish Tine Sweep, reversible.	4422	\$3.49



ORDER NO.	WIDTH	BOLT HOLE	DESCRIPTION	STOCK	RETAIL
WK42	2 3/4"	3/8"	Danish Tine Sweep.	9925	\$3.99
WK427	2 3/4"	7/16"	Danish Tine Sweep.	9927	\$3.99
WK427V	2 3/4"	7/16"	Danish Tine Sweep, extra wide shank for Vicon.	9927	\$3.99



ORDER NO.	WIDTH	BOLT HOLE	DESCRIPTION	STOCK	RETAIL
WK44	4"	3/8"	Danish Tine Sweep.	9437	\$4.65
WK447	4"	7/16"	Danish Tine Sweep.	8937	\$5.30
WK447V	4"	7/16"	Danish Tine Sweep, to fit Vicon and others.	8937	\$5.30



ORDER NO.	WIDTH	BOLT HOLE	DESCRIPTION	STOCK	RETAIL
WK44D	4"	3/8"	Danish Tine Sweep, "Duckfoot".	8937	\$5.30
WK44D7	4"	7/16"	Danish Tine Sweep, "Duckfoot".	8937	\$5.30
WK44D7V	4"	7/16"	Danish Tine Sweep, "Duckfoot", Vicon.	8937	\$5.30

ORDER NO.	WIDTH	BOLT HOLE	DESCRIPTION	STOCK	RETAIL
WK47	7"	3/8"	Danish Tine Sweep.	9449	\$5.99
WK477	7"	7/16"	Danish Tine Sweep.	9443	\$5.99
WK49	9"	3/8"	Danish Tine Sweep.	6159	\$6.89



WK47

## 5/16" Thick Danish Sweeps- For Kongskilde - 2 Bolt holes

ORDER NO.	WIDTH	THICKNESS	BOLT HOLE	DESCRIPTION	STOCK	RETAIL
WK422H	2 3/4"	5/16"	(2) 7/16"	Danish Tine Sweep, 2 hole.	2448	\$5.89
WK44D2H7	4"	5/16"	(2) 7/16"	Danish Tine Sweep, 2 hole, "Duckfoot".	9444	\$5.99
WK442H	4"	5/16"	(2) 7/16"	Danish Tine Sweep, 2 hole, spear point.	9448	\$5.99
WK472H	7"	5/16"	(2) 7/16"	Danish Tine Sweep, 2 hole.	7845	\$6.49



WK422H



WK44D2H7



WK472H

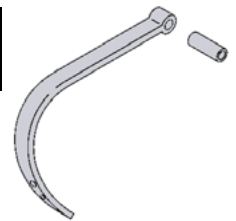
## Hardware for Danish Sweeps

ORDER NO.	DESCRIPTION	PKG	QTY	WT.	STOCK	RETAIL
KIDB38158	Elliptical "Danish" bolts, 3/8" x 1 5/8" grade 5.	50	5	28424	\$35.46	
KIDB381128	Elliptical "Danish" bolts, 3/8" x 1 1/2" grade 8.	50	5	49123	\$31.34	
KIDB38134	Elliptical "Danish" bolts, 3/8" x 1 3/4" grade 8.	50	5	23526	\$36.17	
KIDB716134	Elliptical "Danish" bolts, 7/16" x 1 3/4" grade 5.	50	6	23222	\$31.89	
KIDB716178	Elliptical "Danish" bolts, 7/16" x 1 7/8" grade 5.	50	6	09424	\$35.57	

For a complete listing of Elliptical bolts see "Elliptical (Danish) Plow Bolts" on page 194

## Pivot Bushings for JD Shanks

Hardened bushings for various applications. Commonly used on Field Cultivator shanks.



ORDER NO.	DESCRIPTION	STOCK	RETAIL
CN231874	Pivot Bushing, replaces JD no. N231874. Used on 980 up to s/n 5159, 985 up to s/n 443. 726 mulch finisher up to s/n 699, 730 air drill up to s/n 490. .854" O.D. x .51" I.D. x 2.07" long.	5540	\$6.50
CN234484	Late Model Pivot Bushing, replaces JD no. N234484. Used on 980 after s/n 5159, 985 after s/n 443, 726 mulch finisher after s/n 699, 730 air drill after s/n 490, 550 Mulch Master, 856 row crop cultivator, 2700 Mulch Ripper up to s/n 1799, 2200 & 2210 field cultivator. .988" O.D. x .64" I.D. x 2.03" long.	4056	\$7.20

# Danish Tine Shanks (“S” Shanks)



Ground clearance is measured from the mounting hole to the sweep bolt hole.

ORDER NO.	DESCRIPTION	STOCK	RETAIL
WST470	Short Rau Tine with point. Ground clearance is 9", 1" wide, overall height 12", 5/16" thick.	6797	\$13.94
ST485	Reversible point for WST470 "S" tine.	4324	\$3.34
WST3210	Standard "S" Tine, punched to accept 3/8" shovel bolt. 1-1/4" wide, 3/8" thick, 14-1/4" ground clearance.	92017	\$14.70
WST3212	Heavy duty, same "S" tine as WST3210 except it is 1/2" thick. 32mm x 12mm.	96118	\$16.70
WST3212HC	High Clearance "S" tine. Punched to accept a 3/8" shovel bolt. 1-3/4" wide, 1/2" thick, 19-3/4" ground clearance.	74716	\$24.96
WSP41	Medium clearance "S" Tine used on Case, Farmhand, White, and Kewanee. Punched for 3/8" shovel bolt. 1-1/4" wide, 7/16" thick, 17-1/4" ground clearance.	03726	\$39.00
WSTJD3212	"S" tine to fit JD 940 & 960 with danish style shanks. Replaces JD no. N185521.	42515	\$21.77
WSTJD980	"S" tine to fit JD 980 cultivators with danish shanks. Replaces JD no. N231489 and N237810.	40420	\$34.34
WST00019	Tine to fit Remlinger Chisel Plow levelers, Replaces Remlinger no. J00019. (clamp is part number C3T shown below.)	65729	\$39.50
WSP6J500	Tine to fit Brillion, replaces Brillion number 6J500. Shank is 1-1/4" wide, ground clearance is 10-5/8".	37819	\$26.75



WSTJD3212



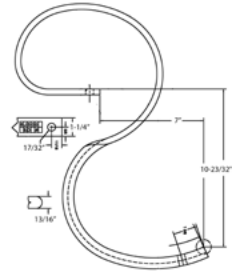
WSTJD980



WST00019



C3T



WSP6J500

## Tool Bar Brackets for Danish Tines

ORDER NO.	DESCRIPTION	STOCK	RETAIL
BL2T	2" Tool Bar clamp/bracket.	0827	\$4.00
C212	2-1/2" Tool Bar clamp/bracket.	0246	\$6.00
C3T (shown above)	3" Tool Bar clamp/bracket. - for use with all tines.	5255	\$7.50
WST470C	Clamp for WST470 short tine, 40 mm x 10 mm.	0826	\$4.00

# Field Cultivator/Soil Finisher Shanks

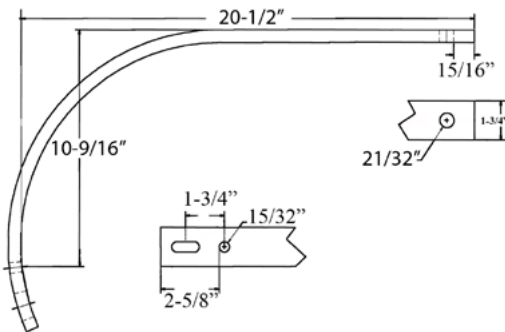
ORDER NO.	OEM NUMBER	DESCRIPTION	STOCK	RETAIL
BRS5134B	576800	Fits AC field cultivators. 1 1/2" wide, 15 3/4" ground clearance. Sweeps bolt on with 7/16" bolts.	32022	\$28.90
BRS5217B	813293C1	Fits IH field cultivators, and MF 259 field cultivators.	02525	\$36.00
BRS5223B	63355	Fits Glencoe field cultivators. 1 3/4" wide, 1/2" thick. Sweeps bolt on with 3/8" bolts.	51425	\$34.50
BRS5215B	67416	Fits Glencoe field and row crop cultivators. 1 3/4" wide, 1/2" thick.	43811	\$26.20
BRS5222B	11511	Fits Wilrich field cultivator. 1-3/4" wide, 9/16" thick, ground clearance is 13". Sweeps bolt on with 7/16" bolts.	90028	\$28.70
BRS5251B	SN3820	Fits Sunflower cultivators. 1-3/4" wide 13" ground clearance. Sweep bolts on with 7/16" bolts.	51428	\$34.50
BRS5261B	SN6806B	Fits Sunflower cultivators. 1-3/4" wide approximately 12" ground clearance. Sweep bolts on with 7/16" bolts.	90726	\$38.70
WSTJD3212	N185521	"S" tine to fit JD 960 with danish style shanks.	42515	\$21.77
WSTJD980	N231489 N237810	"S" tine for JD980 field cultivator.	40420	\$34.34
HSP55EO		Universal low draft Field Cultivator shank. 22 3/8" ground clearance.	06043	\$58.00
CF212		Tool Bar Bracket, 2 1/2".	0242	\$6.00
C3T		Tool Bar Bracket, 3".	5251	\$7.50



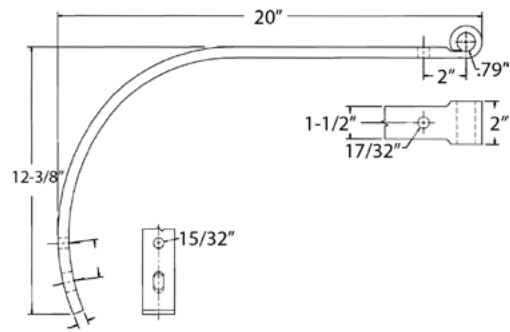
WSTJD980



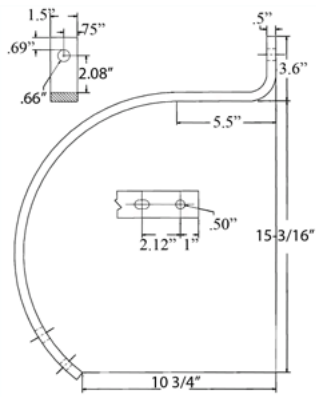
HSP55EO



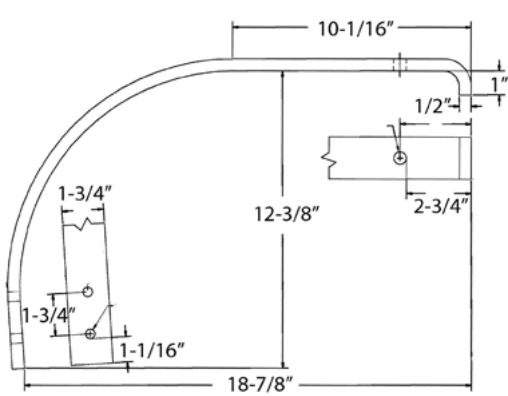
BRS5222B Wilrich



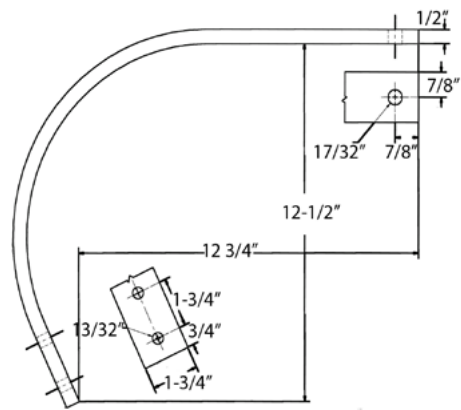
BRS5217B IH



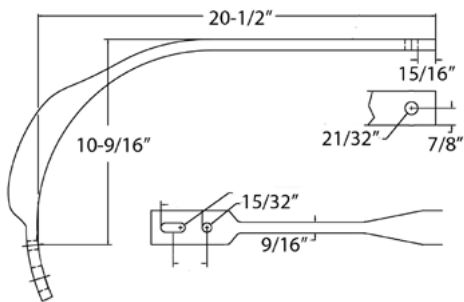
**BRS5134B AC**



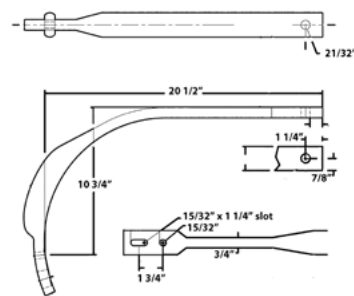
**BRS5223B Glencoe**



**BRS5215B Glencoe**



**BRS5251B Sunflower**



**BRS5261B Sunflower**